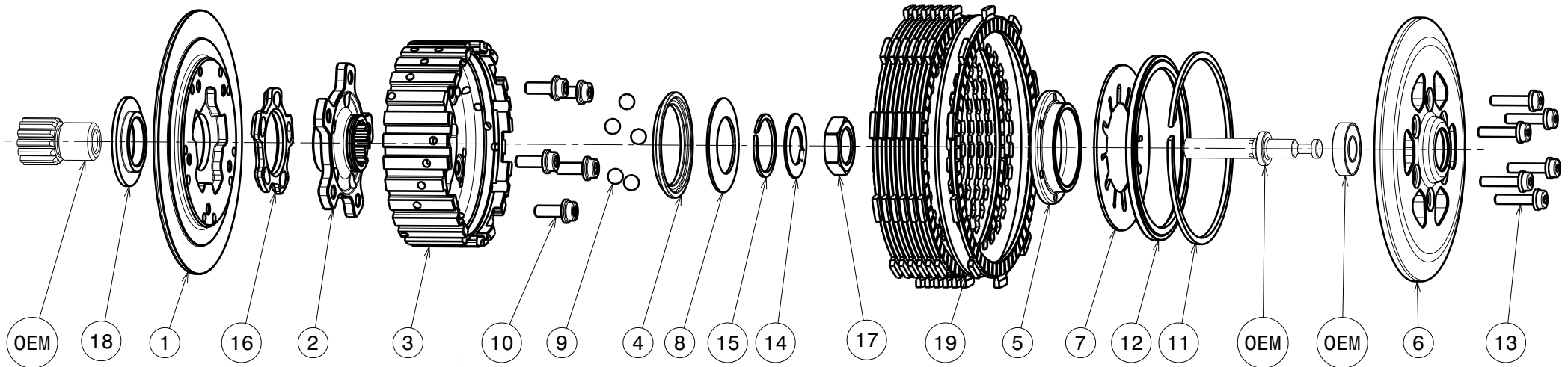
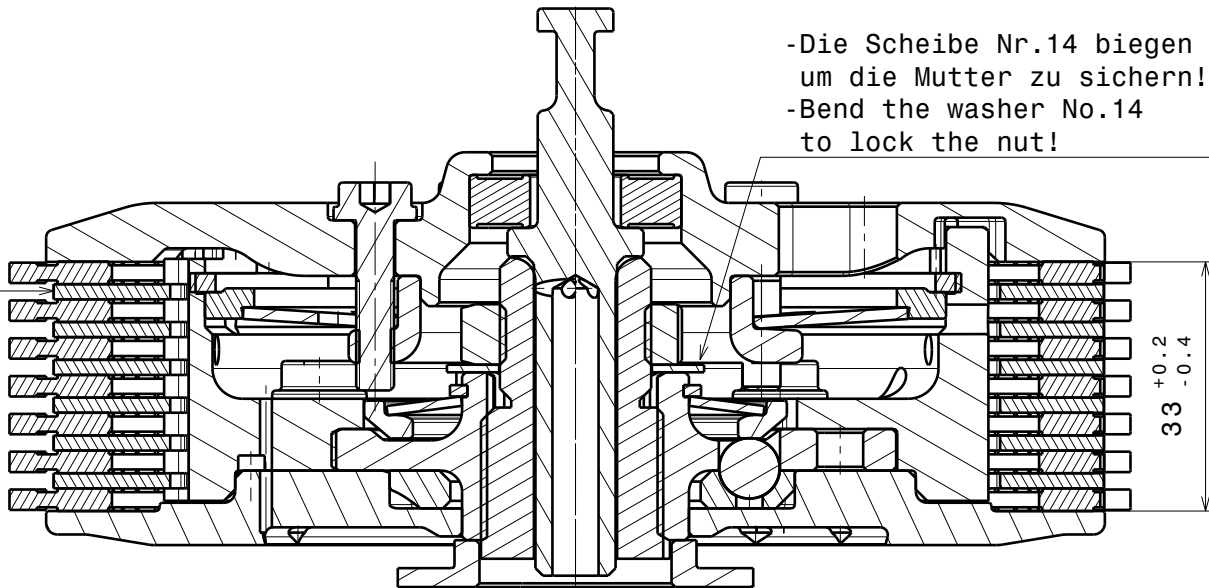


004-71001-0 SuterClutch Kawasaki Z650/Ninja 650 17-21



-Die Scheibe Nr.14 biegen
um die Mutter zu sichern!
-Bend the washer No.14
to lock the nut!



Diese Stahlscheibe muss durch die mitgelieferte (Pos.19) ersetzt werden
This steel disk has to be replaced with the delivered one (Pos.19)

Das angegebene Belagpaketmass ist zwingend einzuhalten!
The plate package thickness must be strictly adhered to!

Partlist: 2660

ITEM	PART NAME	SRT NUMBER	QTY
1	Back Plate	004-21722	1
2	Hub Carrier	004-33700	1
3	Inner Hub	004-08740	1
4	Release Ring	004-00976	1
5	Clamp Hub 7mm	004-00507	1
6	Pressure Plate	004-71940	1
7	Disk Spring Main ø88 1310N	004-88131	1
8	Torque Limiter Spring 1300N	004-50130	1
	Torque Limiter Spring 1100N	004-50110	(1)
	Torque Limiter Spring 1500N	004-50150	(1)
9	Ball 8mm	004-17801	5
10	Bolt M6x16	004-17816	5
11	Circlip 100mm	004-17833	1
12	Locking Ring 98mm	004-00698	1
13	Distance Bolt M5 L=22.5mm	004-05225	6
14	Locking Washer 20/34/1	004-00670	1
15	Circlip 30mm	004-17803	1
16	Ramp Insert 35°	004-00724	1
17	Nut M20x1.5	004-998201580	1
18	Thrust Washer Z650	004-71950	1
19	Steel Disc	004-67920	1