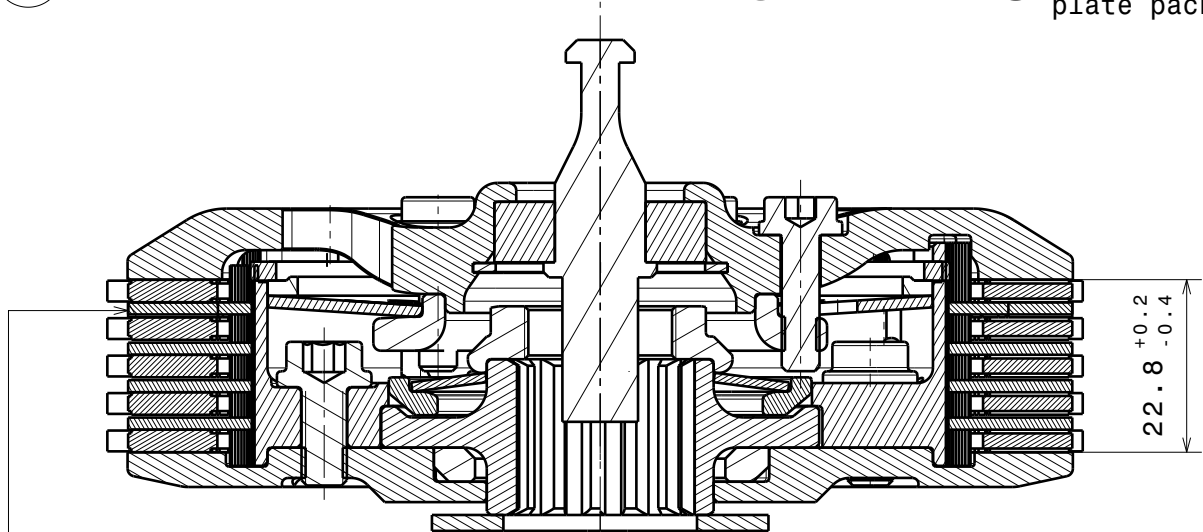
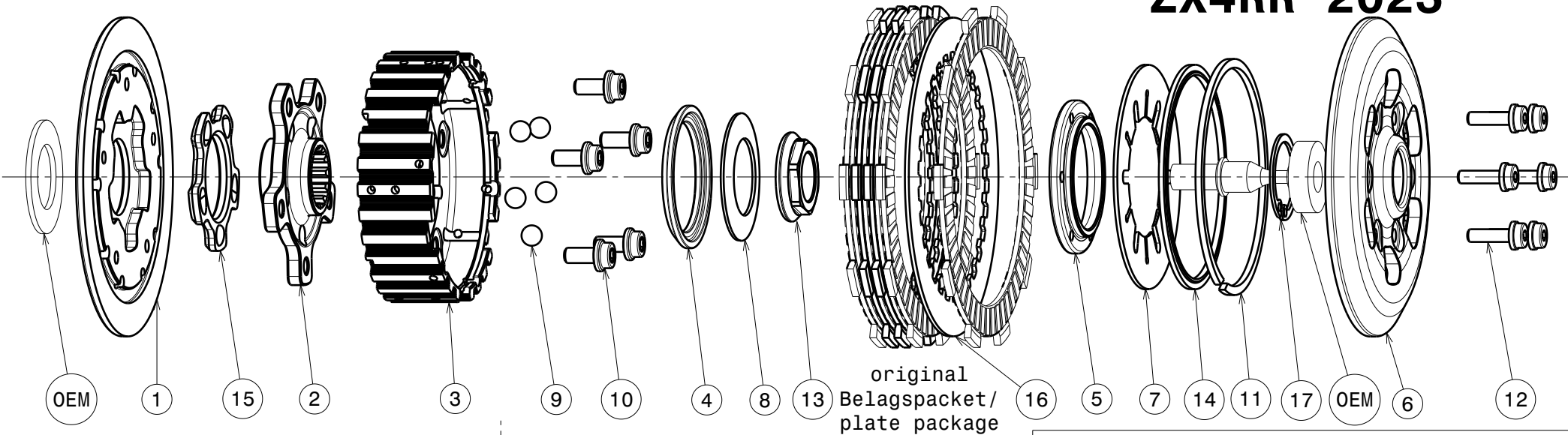


# 004-67003-4 SuterClutch Kawasaki Ninja 400 2018-2023 Z400 2019-2023 ZX4RR 2023



Diese Stahlscheibe muss durch die mitgelieferte (Pos.16) ersetzt werden  
This steel disk has to be replaced with the delivered one (Pos.16)

**Das angegebene Belagspaketmass ist zwingend einzuhalten!**  
**The plate package thickness must be strictly adhered to!**

Partlist: 2869

ITEM	PART NAME	SRT NUMBER	QTY
1	Back Plate	004-67722	1
2	Hub Carrier	004-67701	1
3	Inner Hub	004-67742	1
4	Release Ring 3.1x5.0	004-00976	1
5	Clamp Hub 3mm	004-00503	1
6	Pressure Plate	004-67942	1
7	<b>Disk Spring Main 47x88x1600N</b>	<b>004-88160</b>	<b>1</b>
8	<b>Torque Limiter Spring 1100N</b>	<b>004-50110</b>	<b>1</b>
8.1	Torque Limiter Spring 950N	004-50095	1
8.2	Torque Limiter Spring 1300N	004-50130	1
9	Ball 8mm	004-17801	5
10	Bolt M6x13	004-17835	5
11	Circlip 90mm	004-17804	1
12	Distance Bolt M5 L=18.0mm	004-05180	6
13	Main Nut M20x1.5 L=1.8	004-999201518	1
14	Locking Ring 88mm	004-00688	1
15	<b>Ramp Insert 30°</b>	<b>004-00742</b>	<b>1</b>
16	Steel Disk Ninja 400	004-67921	1
17	Circlip D32	BN822-32	1