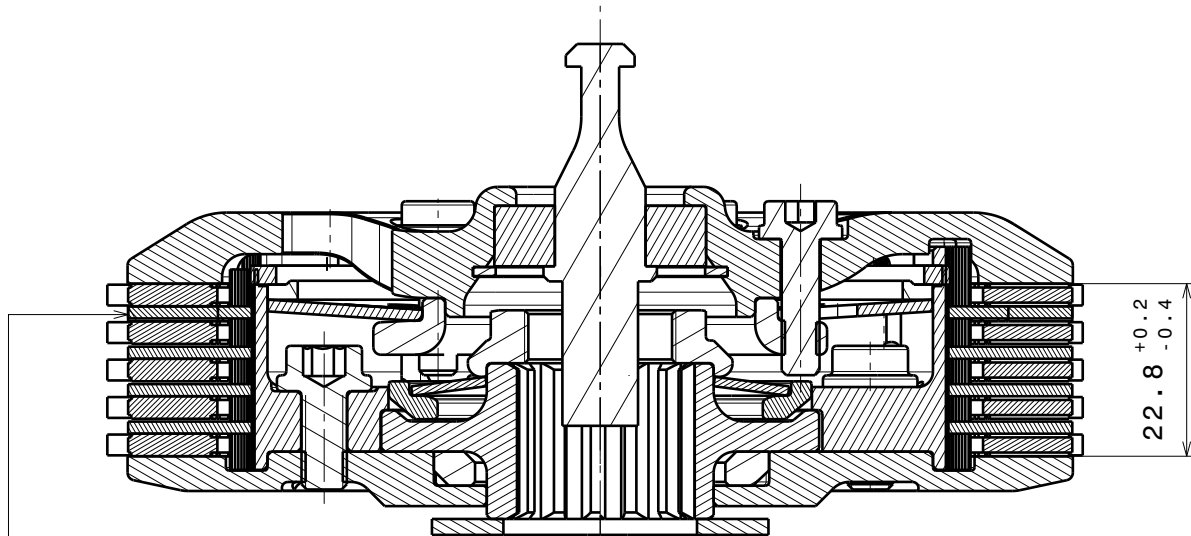
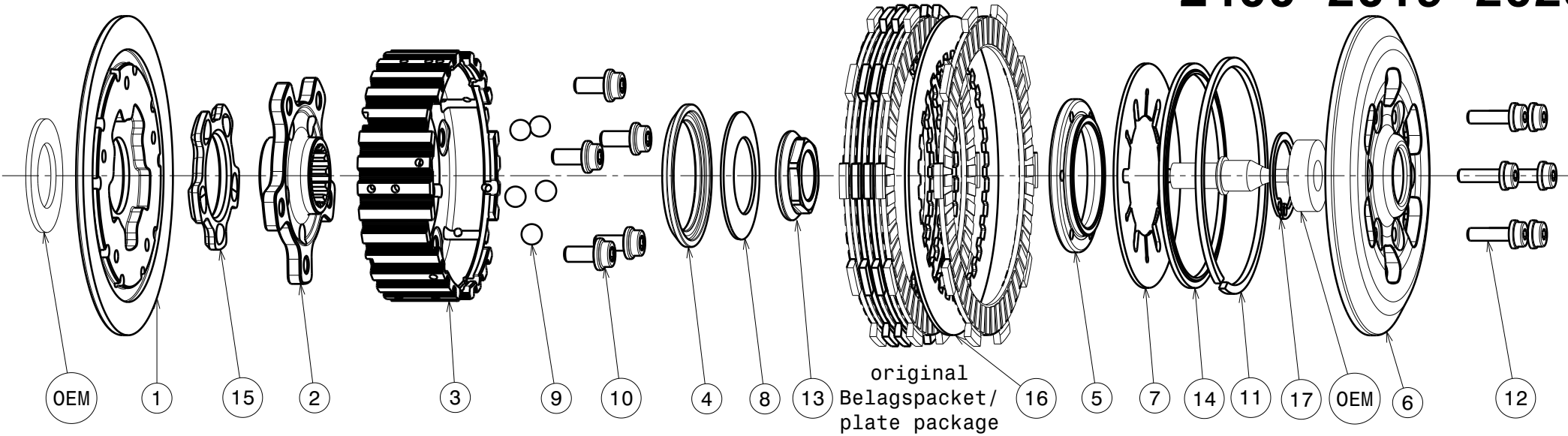


004-67003-3 SuterClutch Kawasaki Ninja 400 2018-2023 Z400 2019-2023



Diese Stahlscheibe muss durch die mitgelieferte (Pos.16) ersetzt werden
This steel disk has to be replaced with the delivered one (Pos.16)

Das angegebene Belagspaketmass ist zwingend einzuhalten!
The plate package thickness must be strictly adhered to!

| Partlist: 2869 | | | |
|----------------|-------------------------------------|------------------|----------|
| ITEM | PART NAME | SRT NUMBER | QTY |
| 1 | Back Plate | 004-67722 | 1 |
| 2 | Hub Carrier | 004-67701 | 1 |
| 3 | Inner Hub | 004-67742 | 1 |
| 4 | Release Ring 3.1x5.0 | 004-00976 | 1 |
| 5 | Clamp Hub 3mm | 004-00503 | 1 |
| 6 | Pressure Plate | 004-67942 | 1 |
| 7 | Disk Spring Main 47x88x1600N | 004-88160 | 1 |
| 8 | Torque Limiter Spring 1100N | 004-50110 | 1 |
| 8.1 | Torque Limiter Spring 950N | 004-50095 | 1 |
| 8.2 | Torque Limiter Spring 1300N | 004-50130 | 1 |
| 9 | Ball 8mm | 004-17801 | 5 |
| 10 | Bolt M6x13 | 004-17835 | 5 |
| 11 | Circlip 90mm | 004-17804 | 1 |
| 12 | Distance Bolt M5 L=18.0mm | 004-05180 | 6 |
| 13 | Main Nut M20x1.5 L=1.8 | 004-999201518 | 1 |
| 14 | Locking Ring 88mm | 004-00688 | 1 |
| 15 | Ramp Insert 32.5° | 004-00743 | 1 |
| 16 | Steel Disk Ninja 400 | 004-67921 | 1 |
| 17 | Circlip D32 | BN822-32 | 1 |