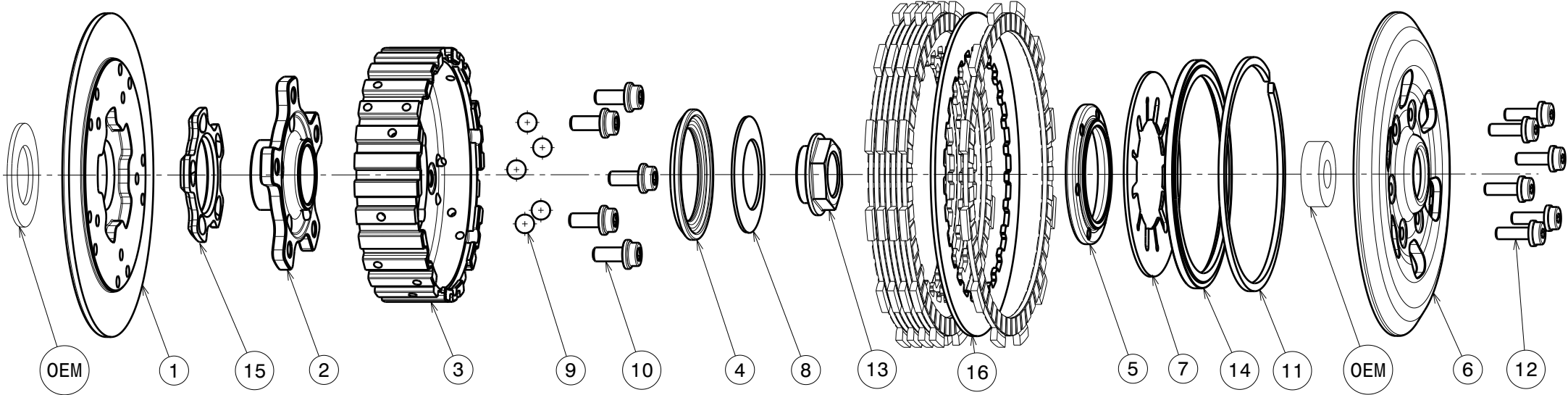
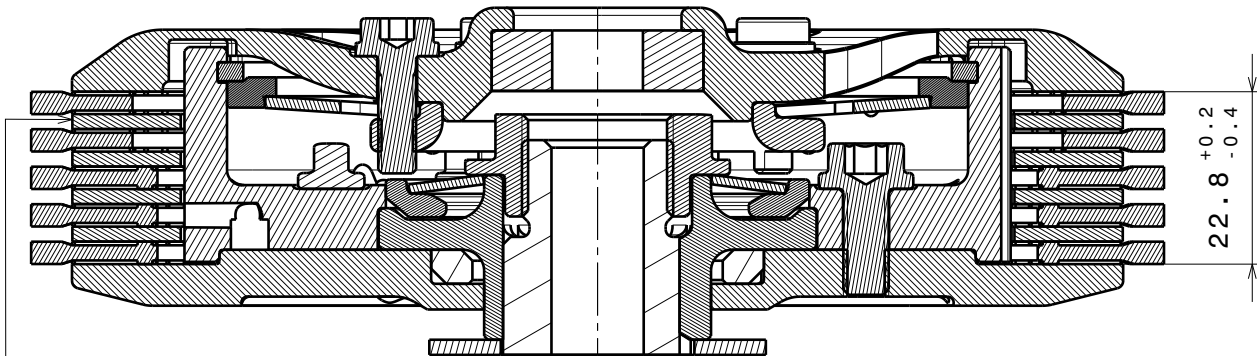


004-67001-0 SuterClutch Kawasaki Ninja 300 2013-17 250 2015-17



original
Belagspaket/
plate package



Diese Stahlscheibe muss durch die mitgelieferte (Pos.16) ersetzt werden
This steel disk has to be replaced with the delivered one (Pos.16)

Das angegebene Belagspaketmass ist zwingend einzuhalten!
The plate package thickness must be strictly adhered to!

Partlist: 1851

ITEM	PART NAME	SRT NUMBER	QTY
1	Back Plate	004-67720	1
2	Hub Carrier	004-67700	1
3	Inner Hub	004-67740	1
4	Release Ring 3.1x5.0	004-00976	1
5	Klamp Hub 2.0mm	004-00502	1
6	Pressure Plate	004-67940	1
7	Disk Spring Main 47x88x1310N	004-88131	1
8	Torque Limiter Spring 1100N	004-50110	1
8.1	Torque Limiter Spring 950N	004-50095	1
8.2	Torque Limiter Spring 1300N	004-50130	1
9	Ball 8mm	004-17801	5
10	Hexagon Socket Screw M6x14	004-17814	5
11	Circlip 100mm Hole	004-17833	1
12	Distance Screw M5 L=15.5mm	004-05155	6
13	Main Nut M20x1.5	004-67995	1
14	Locking Ring 98	004-00698	1
15	Ramp Insert 32.5°	004-00743	1
16	Steel Disc Ninja 300	004-67920	1