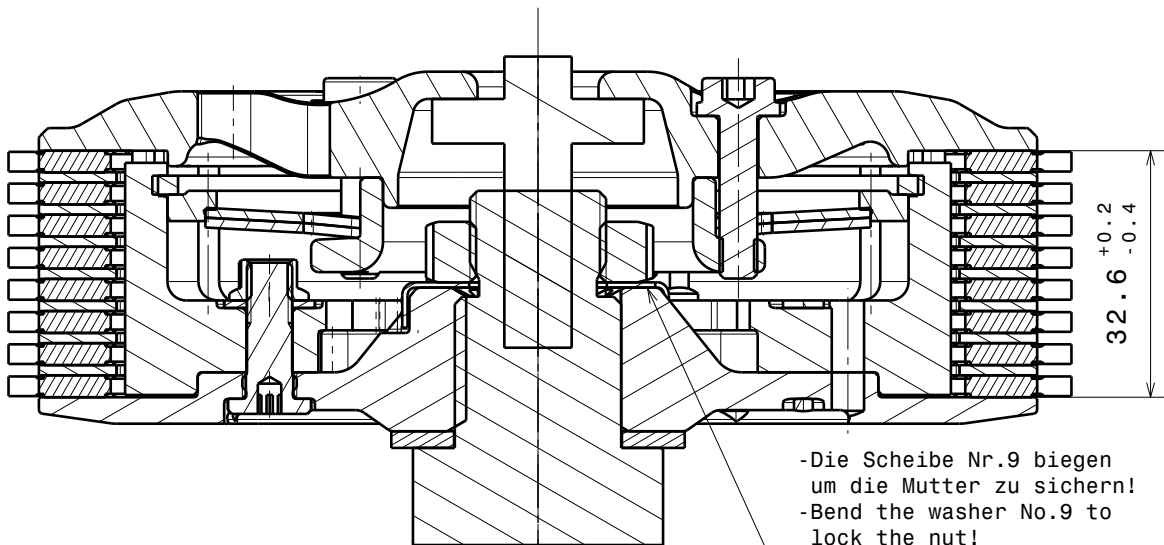
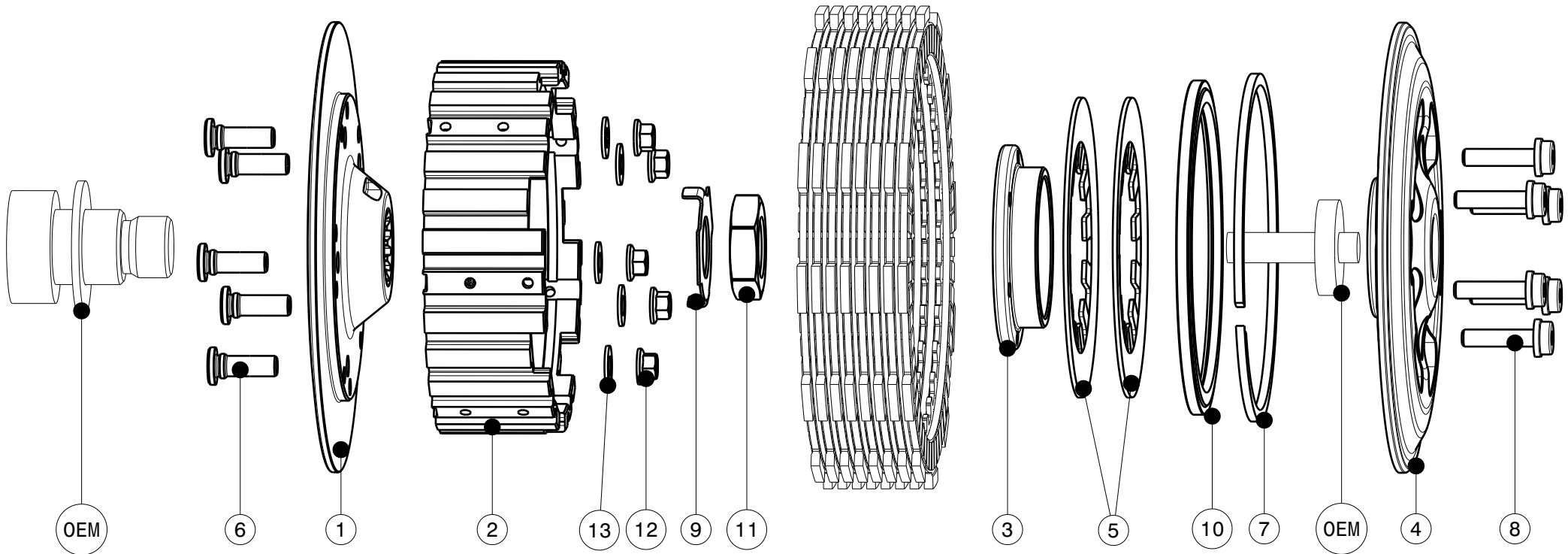


004-59050-1 SuterClutch TM 250/300 4T



Das angegebene Belagspaketmass ist zwingend einzuhalten!
The plate package thickness must be strictly adhered to!

ITEM	PART NAME	SRT NUMBER	QTY
1	Back Plate PD	004-59721	1
2	Inner Hub	004-59740	1
3	Clamp Hub 8mm	004-00508	1
4	Pressure Plate	004-59940	1
5	Disk Spring Main ø88 600N	004-88060	2
6	Stud Bolt M6 L18	004-12981	5
7	Circlip 100mm	004-17833	1
8	Distance Bolt M5 L=21.5mm	004-05215	6
9	Locking Washer 18/31/0.7mm	004-00673	1
10	Locking Ring 98	004-00698	1
11	Nut M18x1.5	004-998181580	1
12	Nut M6	999-12030605	5
13	Washer M6	BN1976-6x12x1.0	5