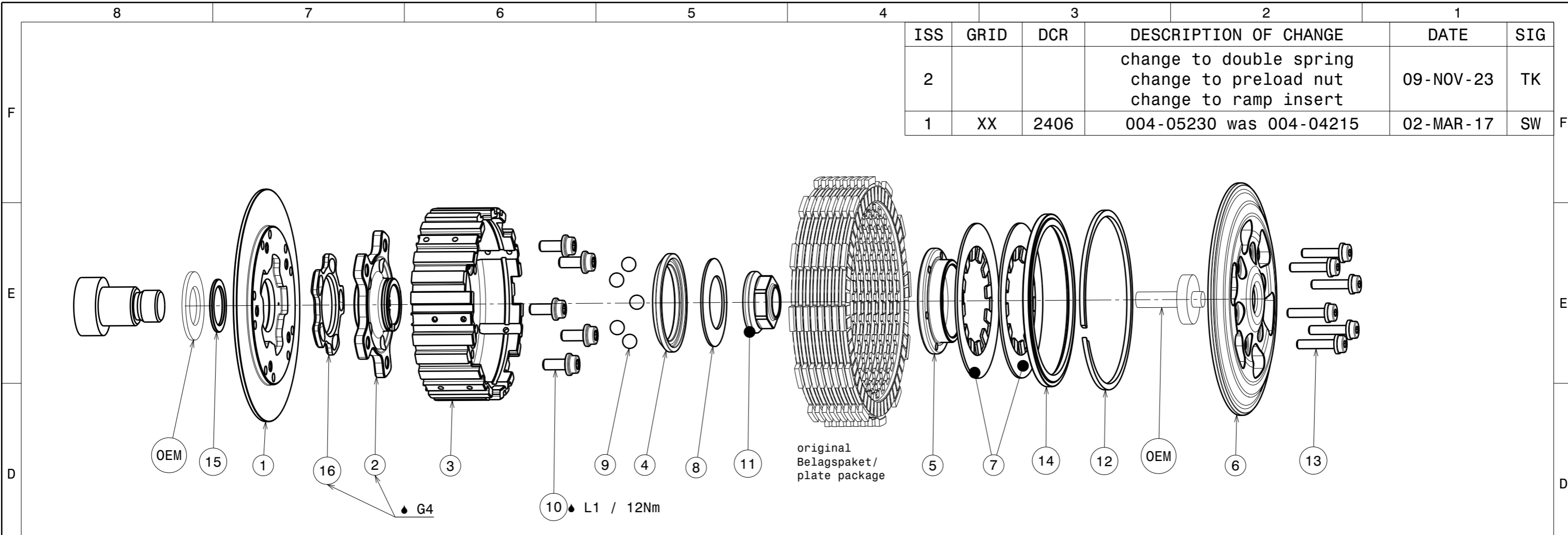
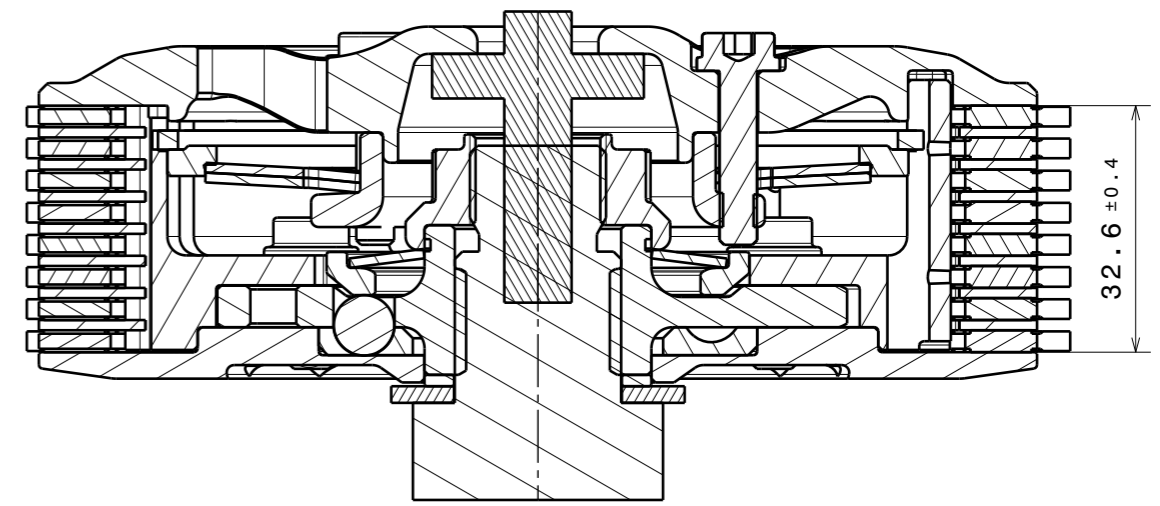


Copyright © SUTER Industries AG / Mettlenstrasse 3 / CH-8488 Turbenthal. Für dieses Dokument behalten wir uns alle Rechte vor. / We reserve all rights in connection with this document.  
CAD System: CATIA



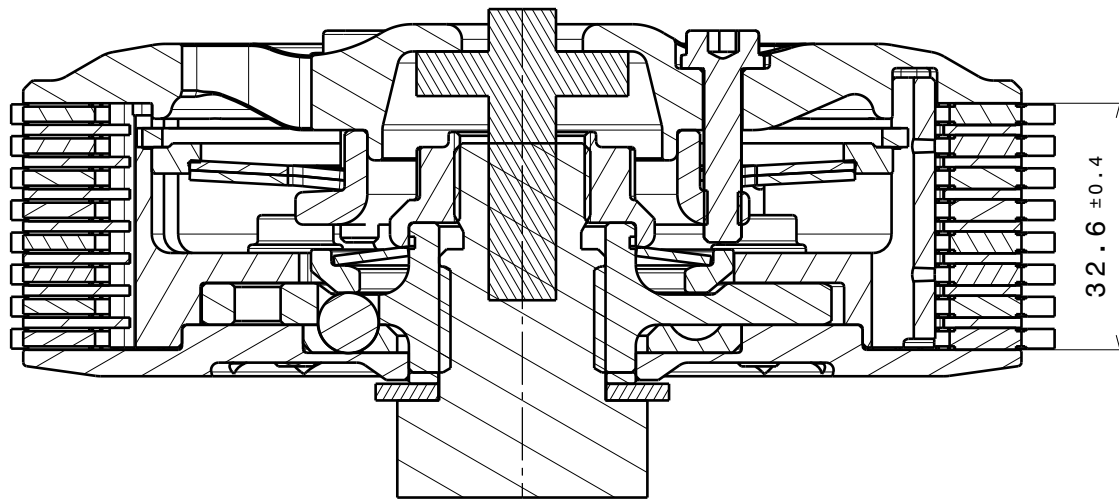
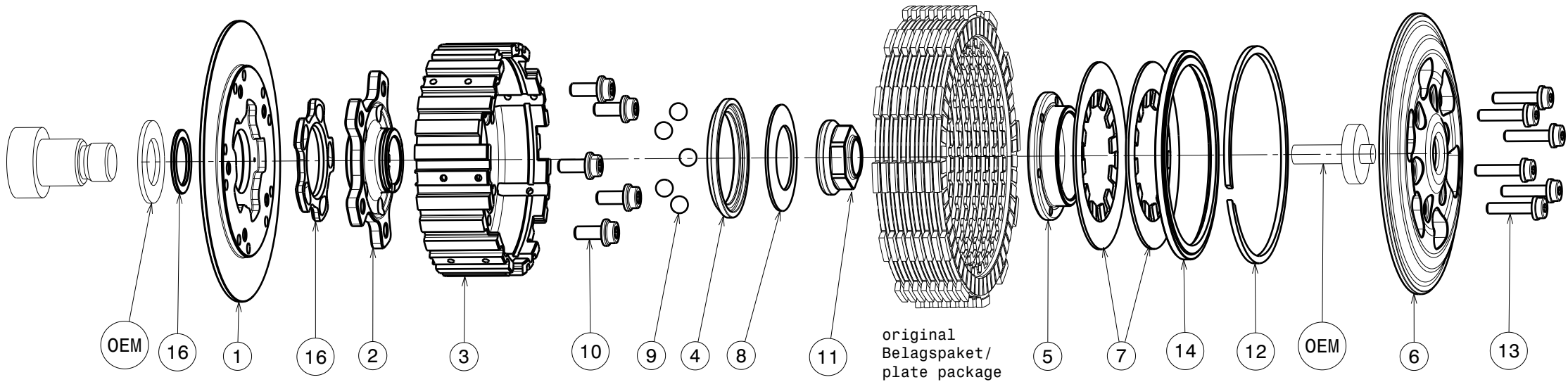
ITEM	PART NAME	SRT NUMBER	QTY
1	Back Plate Insert	004-59720	1
2	Hub Carrier	004-27703	1
3	Inner Hub	004-59740	1
4	Release Ring	004-09975	1
5	Clamp Hub 8mm	004-00508	1 (2)
6	Pressure plate	004-59940	1
7	Disk Spring Main ø88 600N	004-88060	2 (2)
8	Torque Limiter Spring 950N	004-50095	1
9	Ball 8mm	004-17801	5
10	Bolt M6x14	004-17814	5
11	Nut M18x1.5 L=3.3	004-999181533	1 (2)
12	Circlip 100mm	004-17833	1
13	Distance Bolt M5 L=23.0mm	004-05230	6 (1)
14	Locking Ring 98mm	004-00698	1
15	Adapter BUSH tm	004-59950	1
16	Ramp Insert 27.5°	004-75729	1 (2)
<b>SETUP MATERIAL</b>			
8.1	Torque Limiter Spring 850N	004-50085	1
8.2	Torque Limiter Spring 1100N	004-50110	1
<b>ADDITIONAL MATERIAL</b>			
	SuterClutch packing compl. 2017	004-52042	1
	Sticker SuterClutch 7x1.5cm	004-52050	2
	Sticker SuterClutch 15x3.3cm	004-52051	2
	Installation Manual SuterClutch	004-52060	1
	Set Gap Measuring	004-52100	1
	Drawing "Kunde"	-	1



Fehlende Masse und Angaben sind dem 3D-CAD-Datensatz zu entnehmen  
For missing dimensions and details see 3D-CAD data set

Werkstoff (DIN) / Material (DIN) <b>SEE PARTLIST</b>	Oberfläche/Surface DIN ISO 1302	Kantenbruch / break edges ISO 13715	Toleranzangabe / Tolerance DIN ISO 2768 - mK DIN EN ISO 13920 - BF	Anzahl Prüfmerkmale / Number inspection characteristics 0
Zertifikat / Attest R <input type="checkbox"/> O <input type="checkbox"/> K <input type="checkbox"/> H <input type="checkbox"/>	Oberflächenbehandlung / Surface treatment -	Format A3	Blatt/Sheet 1/2	Prüflot / inspection lot [%] Q-Level / Level of quality L5
Massstab/Scale 1:1	Gewicht/Weight 1598g	Datum/Date 16.12.2022	Name g.monterastelli	Gezeichnet/ designed
<b>SUTER INDUSTRIES</b>	SuterClutch TM250/300 4T 2012-2024	Geprüft/ checked 10.11.2023	f.kunz	Freigegeben/ approved 10.11.2023
Artikel Nr. / Part No. <b>004-59001</b>			Rev. <b>2</b>	

# 004-59001-2 SuterClutch TM250/300 2012-2023



**Das angegebene Belagspaketmass ist zwingend einzuhalten!**  
**The plate package thickness must be strictly adhered to!**

ITEM	PART NAME	SRT NUMBER	QTY
1	Back Plate	004-59720	1
2	Hub Carrier	004-27703	1
3	Inner Hub	004-59740	1
4	Release Ring	004-09975	1
5	Clamp Hub 8mm	004-00508	1
6	Pressure plate	004-59940	1
7	<b>Disk Spring Main ø88 600N</b>	<b>004-88060</b>	<b>2</b>
8	<b>Torque Limiter Spring 950N</b>	<b>004-50095</b>	<b>1</b>
	Torque Limiter Spring 850N	004-50085	1
	Torque Limiter Spring 1100N	004-50110	1
9	Ball 8mm	004-17801	5
10	Bolt M6x14	004-17814	5
11	Nut M18x1.5 L=3.3	004-999181533	1
12	Circlip 100mm	004-17833	1
13	Distance Bolt M5 L=23.0mm	004-05230	6
14	Locking Ring 98mm	004-00698	1
15	Adapter BUSH tm	004-59950	1
16	<b>Ramp Insert 27.5°</b>	<b>004-75729</b>	<b>1</b>