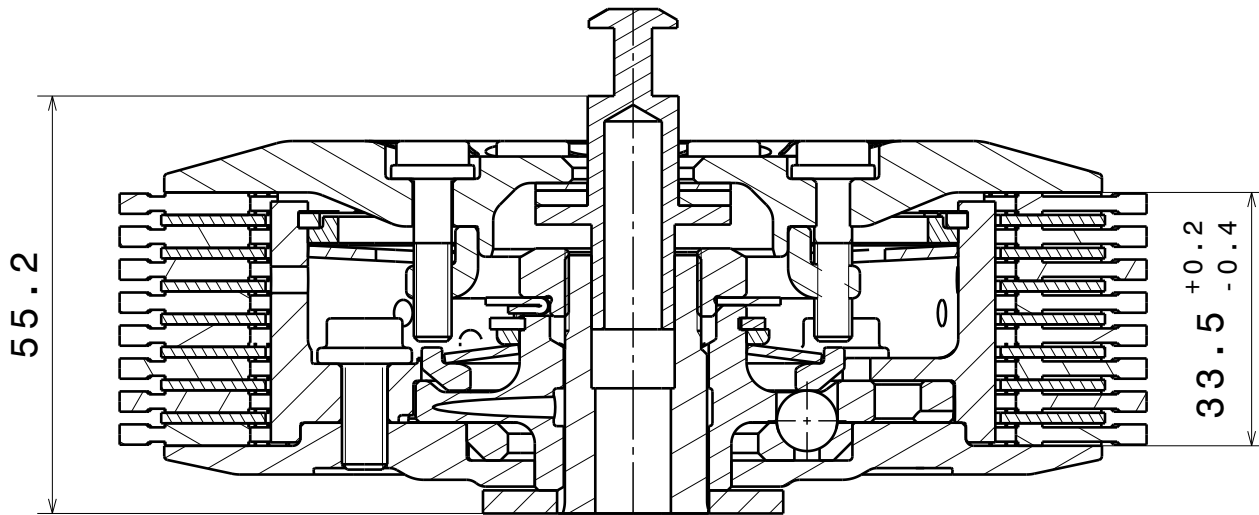
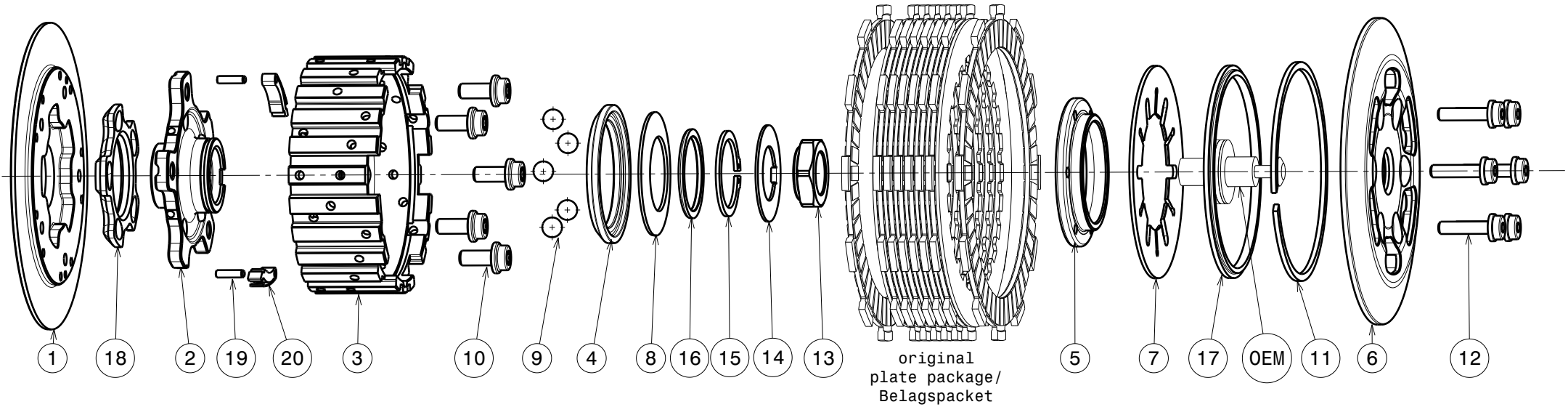


004-56022-3 SuterClutch Honda NSF250RW Moto3 Racks 15-23



Das angegebene Belagspaketmass ist zwingend einzuhalten!
The plate package thickness must be strictly adhered to!

ITEMS LIST (1328)			
ITEM	PART NAME	SRT NUMBER	QTY
1	BACK PLATE RACKS	004-29721	1
2	HUB CARRIER RACKS	004-56701	1
3	INNER HUB RACKS	004-29741	1
4	RELEASE RING	004-09975	1
5	KLAMP HUB 5.0mm	004-00505	1
6	PRESSURE PLATE	004-56943	1
7	DISK SPRING MAIN 47x86x1300N	004-86130	1
8	TORQUE LIMITER SPRING 950N	004-50095	1
9	BALL 8.0MM	004-17801	5
10	BOLT M6x14	004-17814	5
11	CIRCLIP 86mm	004-17886	1
12	DISTANCE SCREW M5x21.5 NSF250RW	004-56215	6
13	NUT NSF250RW M18x1	004-56950	1
14	LOCKING WASHER	004-07670	1
15	CIRCLIP 30mm	004-00030	1
16	DISTANCE RING	004-17610	1
17	LOCKING RING 86	004-00687	1
18	RAMP INSERT 35°	004-00724	1
19	PIN 3x12	BN858-3x12	2
20	RACK ELEMENT SMALL	004-00750	2