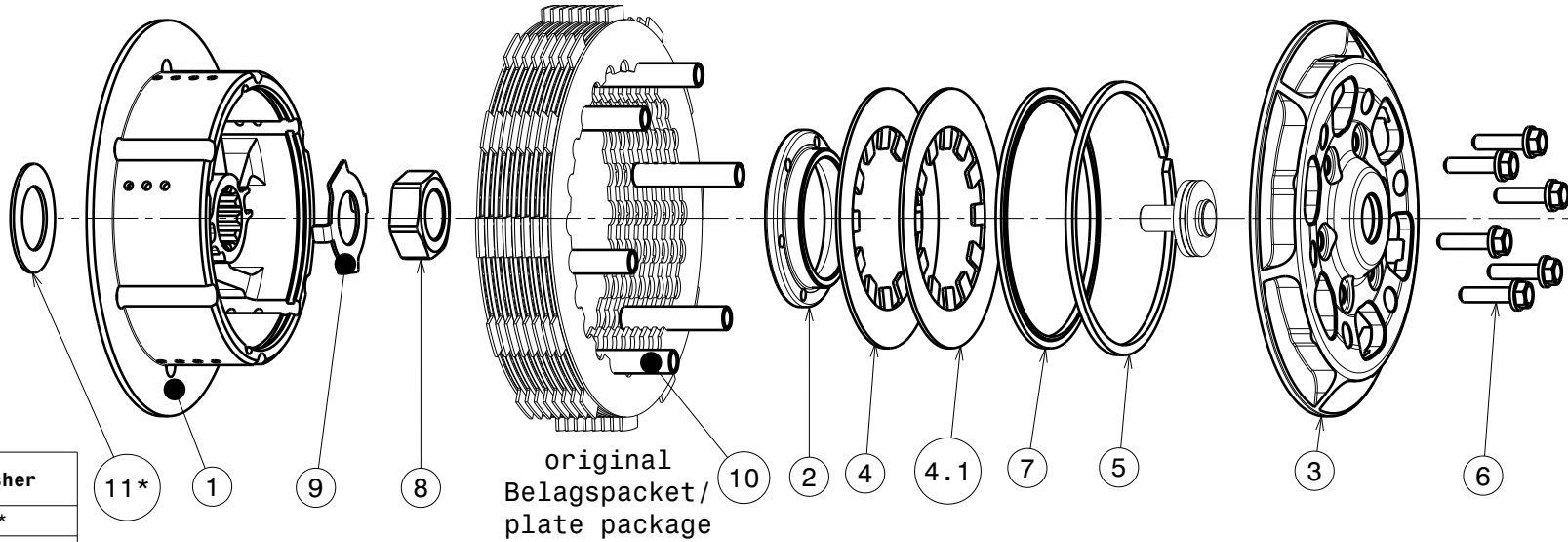
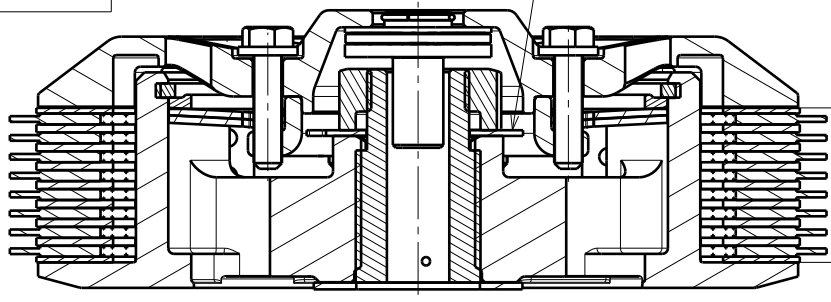


004-55057-0 SuterClutch MX-Line EVO



Für Modell For Model	Thrust Washer
250cc 13-14	Pos. 11*
250cc 15-	OEM Washer
350cc	OEM Washer
450cc	Pos. 11*
500/501/510cc	Pos. 11*
In jedem Einbaufall: nur eine Scheibe verwenden! In any case: use only one of the 2 washers!	

-Die Scheibe Nr.9 biegen um die Mutter zu sichern!
-Bend the washer No.9 to lock the nut!



27.24^{+0.2}_{-0.4}

Das angegebene Paketmass ist zwingend einzuhalten!
The plate package thickness must be strictly adhered to!

ITEM	PART NAME	SRT NUMBER	QTY
1	Inner Hub	004-55745	1
2	Clamp Hub 6mm	004-00506	1
3	Pressure plate	004-55947	1
4	Disk Spring Main ø88 700N	004-88070	1
4.1	Disk Spring Main ø88 800N	004-88080	1
5	Circlip 90mm	004-17804	1
6	Bolt M5x20	999-110205020	6
7	Locking Ring 88mm	004-00688	1
8	Nut M18x1.5	004-55955	1
9	Locking Washer 18/31/1mm	004-00674	1
10	Sleeve 38mm	004-55990	6
11	Thrust Washer	004-55901	1

GasGas		Husaberg		Husqvarna									KTM										
MC450F	EC450F EC500F	450 FE FC	501 FE FC	250 FE	250 FC	250 TE/TC	300 TE/TC	350 FE	350 FC	450 FS	450 FE FC FX	501 FE FC FX	250 SX-F	250 EXC-F	250 SX/EXC /XC/XC -W	300 EXC/XC /XC-W	300 SX	350 SX-F	350 EXC-F	450 SX-F EXC	450 SMR	500 EXC	
2020 - 2024	2024	2013 - 2015	2013 - 2015	2014 - 2024	2014 - 2015	2017 - 2024	2017 - 2024	2014 - 2024	2014 - 2015	2015 - 2024	2014 - 2024	2014 - 2024	2013 - 2015	2013 - 2024	2017 - 2024	2017 - 2024	2023 - 2024	2010 - 2015	2012 - 2024	2012 - 2025	2013 - 2014	2021 - 2024	2012 - 2024