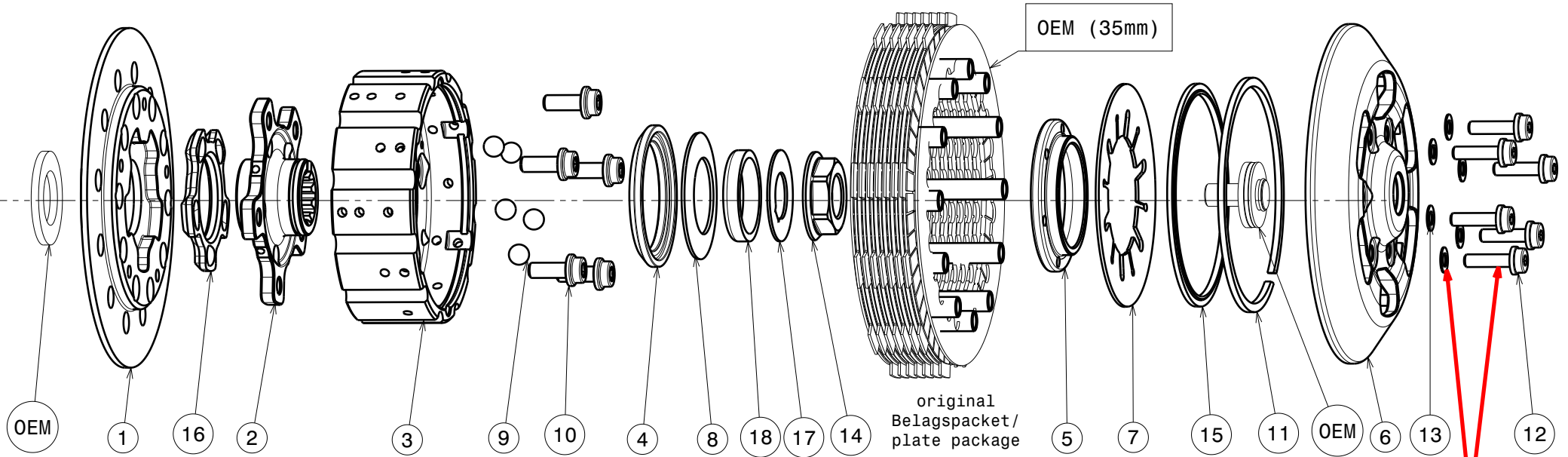
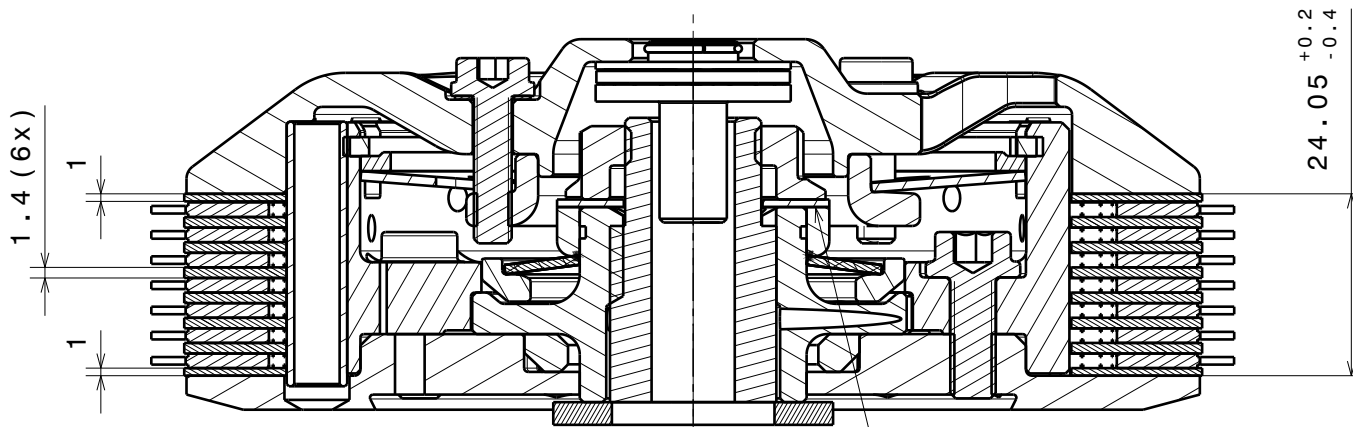


# 004-55005-5 SuterClutch 2016-2021



ONLY USE SUTER PARTS



-Die Scheibe Nr.17 biegen um die Mutter zu sichern!  
-Bend the washer No.17 to lock the nut!

Husqvarna		KTM	
250 FC	350 FC/FX	250 SX-F	350 SX-F
2016 - 2021			

**Das angegebene Paketmass ist zwingend einzuhalten!**  
**The plate package thickness must be strictly adhered to!**

Partlist: 1888			
ITEM	PART NAME	SRT NUMBER	QTY
1	Back Plate Insert	004-55727	1
2	Hub Carrier	004-55702	1
3	Inner Hub	004-55740	1
4	Release Ring	004-09975	1
5	Clamp Hub 5mm	004-00505	1
6	Pressure Plate	004-55943	1
7	<b>Disk Spring Main ø88 1235N</b>	004-88123	1
8	<b>Torque Limiter Spring 1100N</b>	004-50110	1
	Torque Limiter Spring 950N	004-50095	1
9	Ball 8mm	004-17801	5
10	Bolt M6x16	004-17816	5
11	Circlip 90mm	004-17804	1
12	Distance Bolt M5 L=20.0mm	004-05200	6
13	Distance Washer 0.3mm	004-00003	6
14	Main Nut M18x1.5	004-55958	1
15	Locking Ring 88mm	004-00688	1
16	<b>Ramp Insert 27.5°</b>	<b>004-00721</b>	<b>1</b>
17	Locking Washer 18/36/1	004-55671	1
18	Distance Ring 6.5mm	004-55610	1