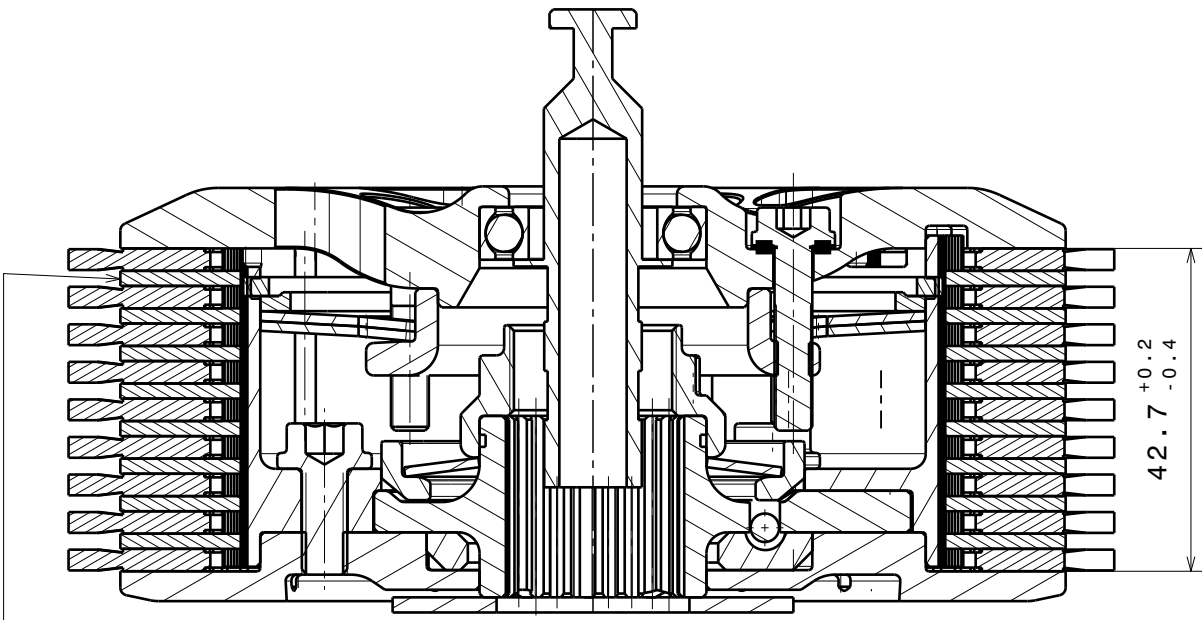
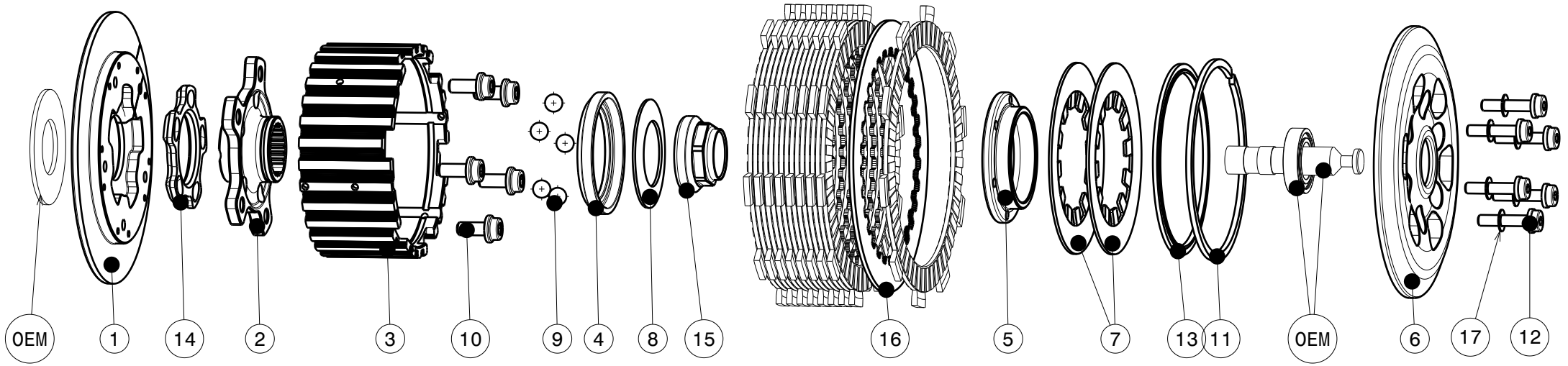


004-48003-1 SuterClutch Triumph 765 2017-2023



Diese Stahlscheibe muss durch die mitgelieferte (Pos.16) ersetzt werden
 This steel disk has to be replaced with the delivered one (Pos.16)

Das angegebene Belagspaketmass ist zwingend einzuhalten!
The plate package thickness must be strictly adhered to!

ITEM	PART NAME	SRT NUMBER	QTY
1	Back Plate	004-48720	1
2	Hub Carrier	004-15704	1
3	Inner Hub	004-48740	1
4	Release Ring	004-15975	1
5	Clamp Hub 7mm	004-00507	1
6	Pressure Plate	004-48944	1
7	Disk Spring Main ø88 700N	004-88070	2
8	Torque Limiter Spring 1100N	004-50110	1
8.1	Torque Limiter Spring 950N	004-50095	1
8.2	Torque Limiter Spring 1300N	004-50130	1
9	Ball 8mm	004-17801	5
10	Bolt M6x14	004-17814	5
11	Circlip 90mm	004-17804	1
12	Distance Bolt M5 L=24.5mm	004-05245	6
13	Locking Ring 88mm	004-00688	1
14	Ramp Insert 32.5°	004-00723	1
15	Nut M22x1 L=5.5	004-999221055	1
16	Steel Disk 2.0mm	004-67921	1
17	Distance Washer 0.5mm	004-00005	6