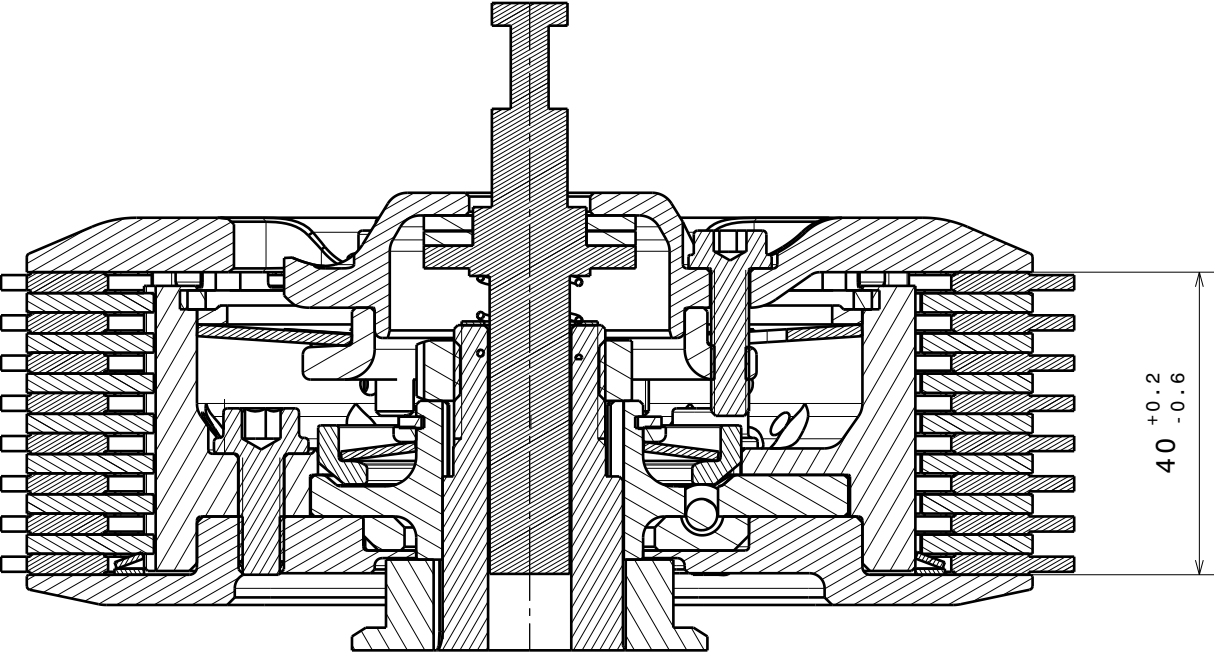
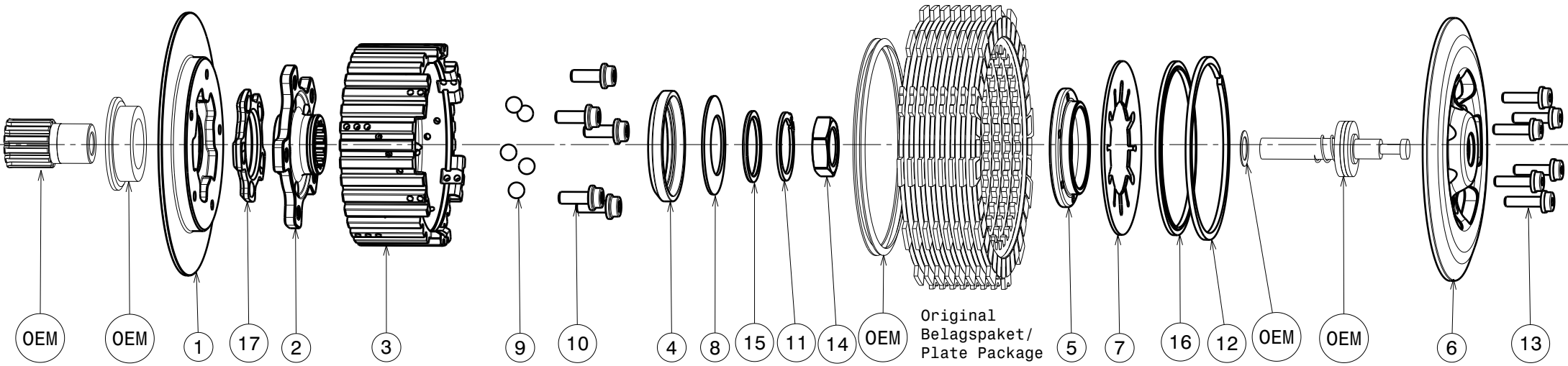


004-46002-0 SuterClutch Kawasaki ZX6R Insert 05-17



Das angegebene Belagspaketmass ist zwingend einzuhalten!
The plate package thickness must be strictly adhered to!

Partlist: 1906			
ITEM	PART NAME	SRT NUMBER	QTY
1	Back Plate	004-46721	1
2	Hub Carrier	004-46700	1
3	Inner Hub	004-46740	1
4	Release Ring	004-15975	1
5	Clamp Hub 5mm	004-00505	1
6	Pressure Plate	004-46940	1
7	Disk Spring Main ø88 1400N	004-88140	1
8	Torque Limiter Spring 850N	004-50085	1
	Torque Limiter Spring 950N	004-50095	(1)
	Torque Limiter Spring 750N	004-50075	(1)
9	Ball 8mm	004-17801	5
10	Bolt M6x16	004-17816	5
11	Circlip 30mm	004-00030	1
12	Circlip 90mm	004-17804	1
13	Distance Bolt M5 L=19.5mm	004-05195	6
14	Nut M20x1.5	004-998201580	1
15	Distance Ring 30x36x2	004-17610	1
16	Locking Ring 88mm	004-00688	1
17	Ramp Insert 32.5° H=4.5mm	004-00743	1