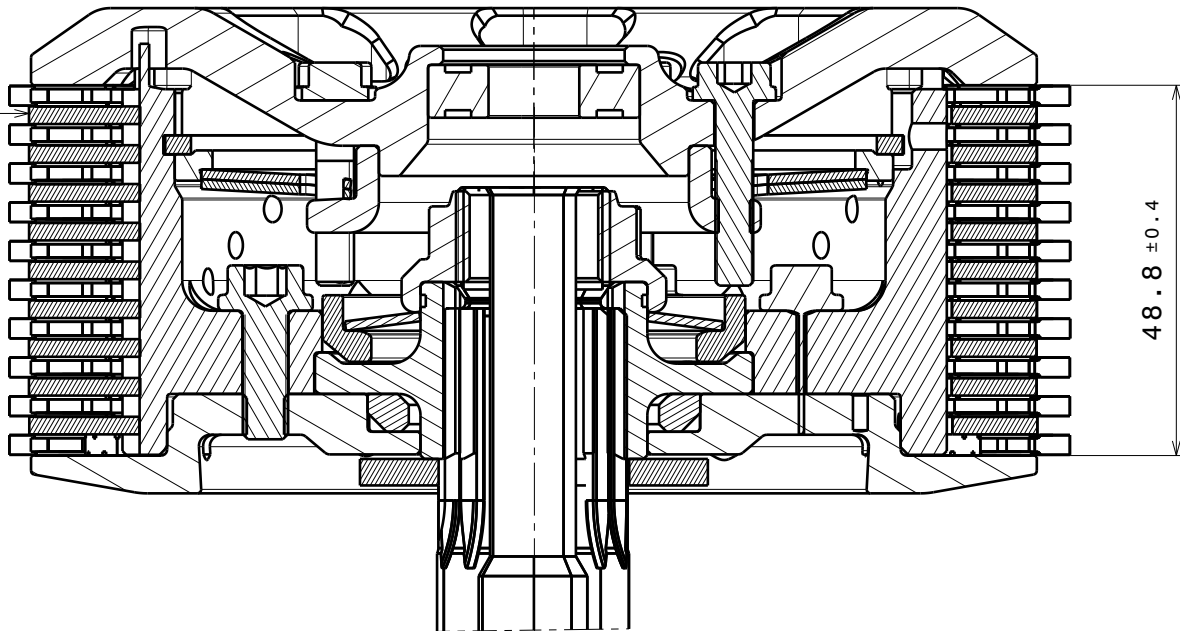
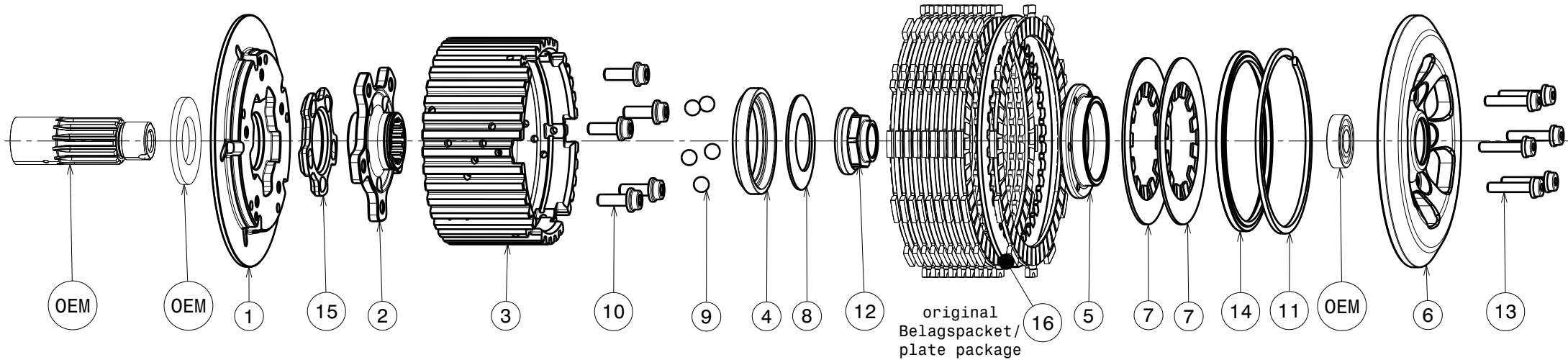


# 004-44009-3 SuterClutch BMW S1000RR 2019-22 S1000R 2021-22



Diese Stahlscheibe muss durch die mitgelieferte (Pos.16) ersetzt werden  
This steel disk has to be replaced with the delivered one (Pos.16)

**Das angegebene Belagspaketmass ist zwingend einzuhalten!**  
**The plate package thickness must be strictly adhered to!**

Partlist: 2590			
ITEM	PART NAME	SRT NUMBER	QTY
1	Back Plate	004-44727	1
2	Hub Carrier	004-44700	1
3	Inner Hub	004-44745	1
4	Release Ring	004-12975	1
5	Clamp Hub 7mm	004-00507	1
6	Pressure Plate	004-44947	1
7	<b>Disk Spring Main ø88 800N</b>	004-88080	2
8	Torque Limiter Spring 1300N	004-50130	1
	<b>Torque Limiter Spring 1500N</b>	<b>004-50150</b>	1
	Torque Limiter Spring 1700N	004-50170	1
9	Ball 8mm	004-17801	5
10	Bolt M6x17	004-17802	5
11	Circlip 95mm	004-17813	1
12	Nut M20x1.5 L=4.0	004-999201540	1
13	Distance Bolt M5 L=24.5mm	004-05245	6
14	Locking Ring 95mm	004-00695	1
15	<b>Ramp Insert 37.5°</b>	<b>004-00725</b>	1
16	Steel Disc 2.3mm	004-44920	1