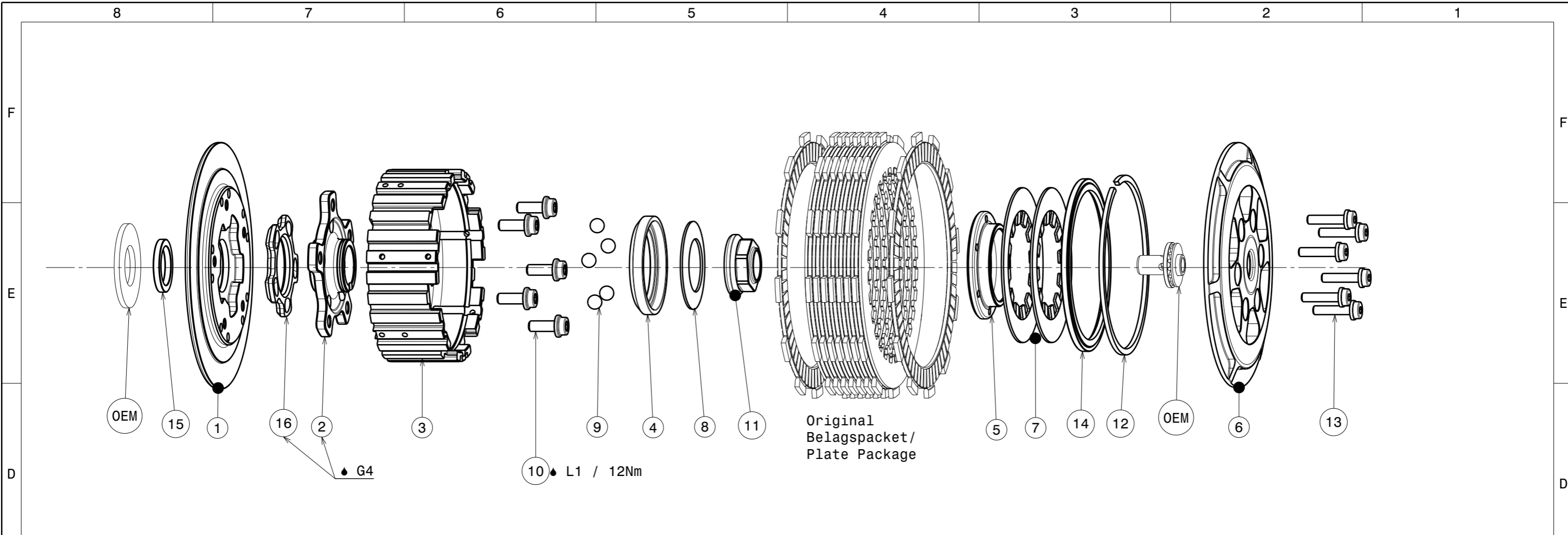
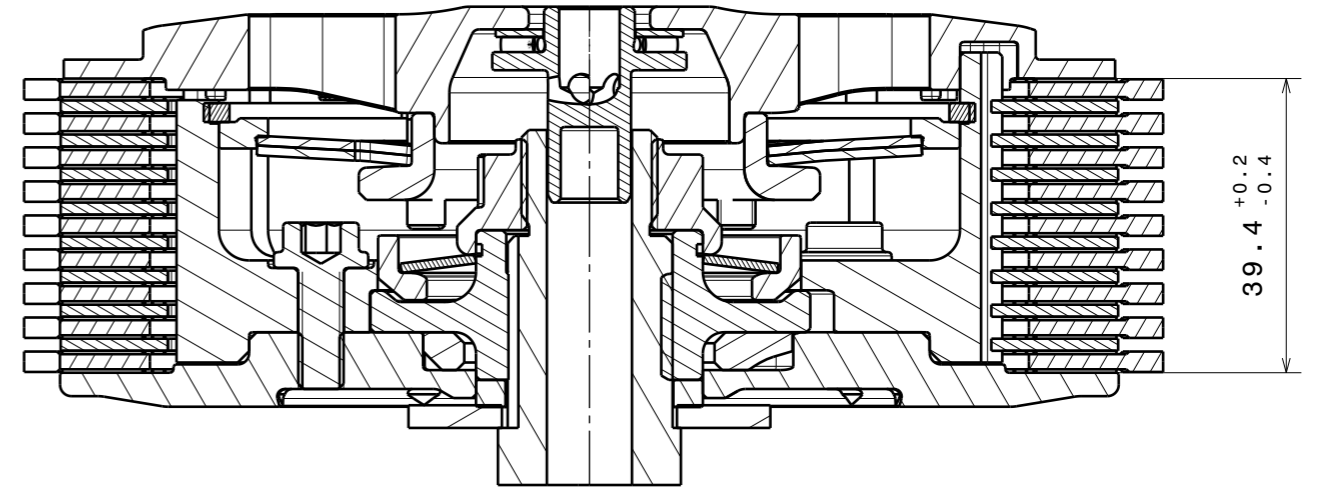


Copyright © SUTER Industries AG / Mettlenstrasse 3 / CH-8488 Turbenthal. Für dieses Dokument behalten wir uns alle Rechte vor. / We reserve all rights in connection with this document. CAD System: CATIA



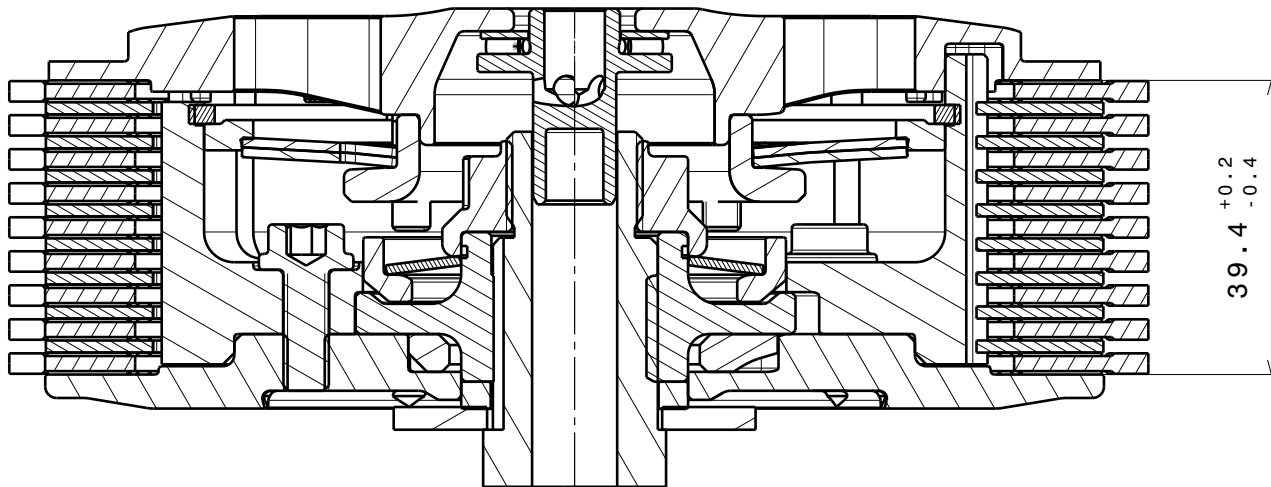
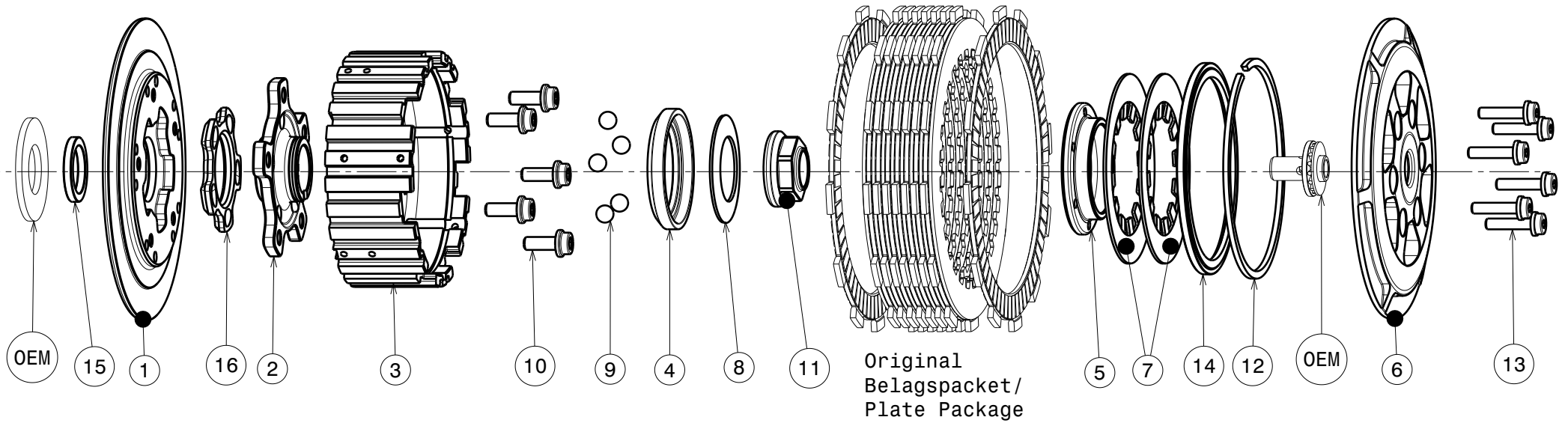
ITEM	PART NAME	SRT NUMBER	QTY
1	Back Plate Factory	004-21726	1
2	Hub Carrier	004-27703	1
3	Inner Hub	004-42740	1
4	Release Ring TM	004-42976	1
5	Clamp Hub 7mm Alu	004-00547	1
6	Pressure Plate Factory	004-21952	1
7	Disk Spring Main ø88 700N	004-88070	2
8	Torque Limiter Spring 950N	004-50095	1
9	Ball 8mm	004-17801	5
10	Bolt M6x16	004-17816	5
11	Nut M18x1.5 L=3.3	004-999181533	1
12	Circlip 100mm	004-17833	1
13	Distance Bolt M5 L=22.5mm	004-05225	6
14	Locking Ring 98mm	004-00698	1
15	Adapter BUSH TM 2014 (3.5)	004-42952	1
16	Ramp Insert 30°	004-00722	1
SETUP MATERIAL			
8.1	Torque Limiter Spring 850N	004-50085	1
8.2	Torque Limiter Spring 1100N	004-50110	1
ADDITIONAL MATERIAL			
	SuterClutch packing compl. 2017	004-52042	1
	Sticker SuterClutch 7x1.5cm	004-52050	2
	Sticker SuterClutch 15x3.3cm	004-52051	2
	Installation Manual SuterClutch	004-52060	1
	Set Gap Measuring	004-52100	1
	Drawing "Kunde"	-	1



Fehlende Masse und Angaben sind dem 3D-CAD-Datensatz zu entnehmen
For missing dimensions and details see 3D-CAD data set

Werkstoff (DIN) / Material (DIN) SEE PARTLIST	Oberfläche/Surface DIN ISO 1302	Kantenbruch / break edges ISO 13715	$\begin{matrix} \swarrow^{+0.05} \\ \searrow^{-0.2} \\ \swarrow^{+0.2} \\ \searrow^{-0.05} \end{matrix}$	0	Anzahl Prüfmerkmale / Number inspection characteristics
Zertifikat / Attest R <input type="checkbox"/> O <input type="checkbox"/> K <input type="checkbox"/> H <input type="checkbox"/>	Toleranzangabe / Tolerance DIN ISO 2768 - mK DIN EN ISO 13920 - BF		-	L5	Prüflot / inspection lot [%] Q-Level / Level of quality
Massstab/Scale 1:1	Gewicht/Weight 1429g	Format A3	Blatt/Sheet 1/2	Datum/Date 16.12.2022	Name g.monterastelli
SUTER INDUSTRIES		SuterClutch TM 450/530 2014-2024 Factory		Geprüft/checked 23.11.2023	f.kunz
		SuterClutch TM 450/530 2014-2024 Factory		Freigegeben/approved 23.11.2023	t.kuhn
				Artikel Nr. / Part No.	Rev.
				004-42035	0

004-42035-0 SuterClutch TM450/530 2014-2023 FACTORY



ITEM	PART NAME	SRT NUMBER	QTY
1	Back Plate Factory	004-21726	1
2	Hub Carrier	004-27703	1
3	Inner Hub	004-42740	1
4	Release Ring TM	004-42976	1
5	Clamp Hub 7mm Alu	004-00547	1
6	Pressure Plate Factory	004-21952	1
7	Disk Spring Main ø88 700N	004-88070	2
8	Torque Limiter Spring 950N	004-50095	1
	Torque Limiter Spring 850N	004-50085	1
	Torque Limiter Spring 1100N	004-50110	1
9	Ball 8mm	004-17801	5
10	Bolt M6x16	004-17816	5
11	Nut M18x1.5 L=3.3	004-999181533	1
12	Circlip 100mm	004-17833	1
13	Distance Bolt M5 L=22.5mm	004-05225	6
14	Locking Ring 98mm	004-00698	1
15	Adapter Bush TM 2014 (3.5)	004-42952	1
16	Ramp Insert 30°	004-00722	1

Das angegebene Belagspaketmass ist zwingend einzuhalten!
The plate package thickness must be strictly adhered to!