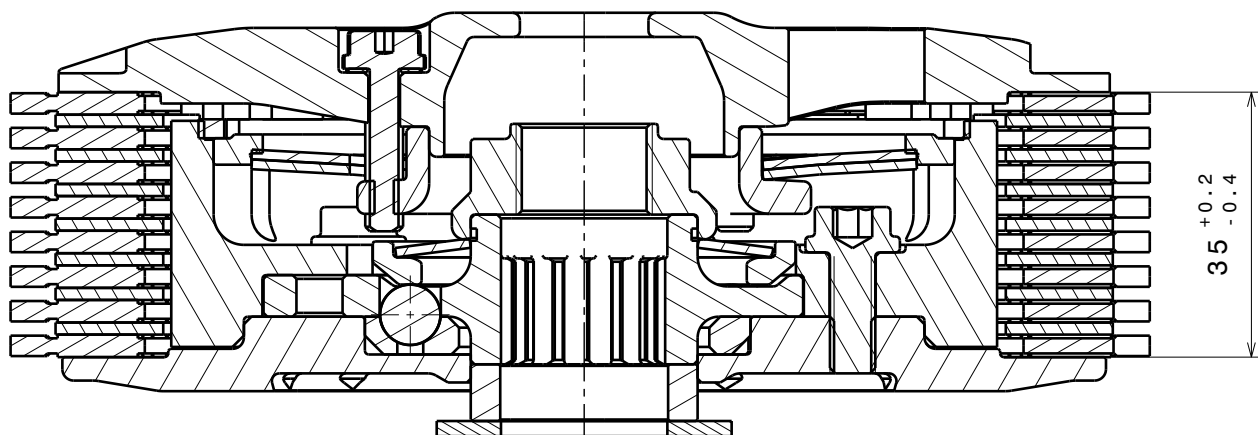
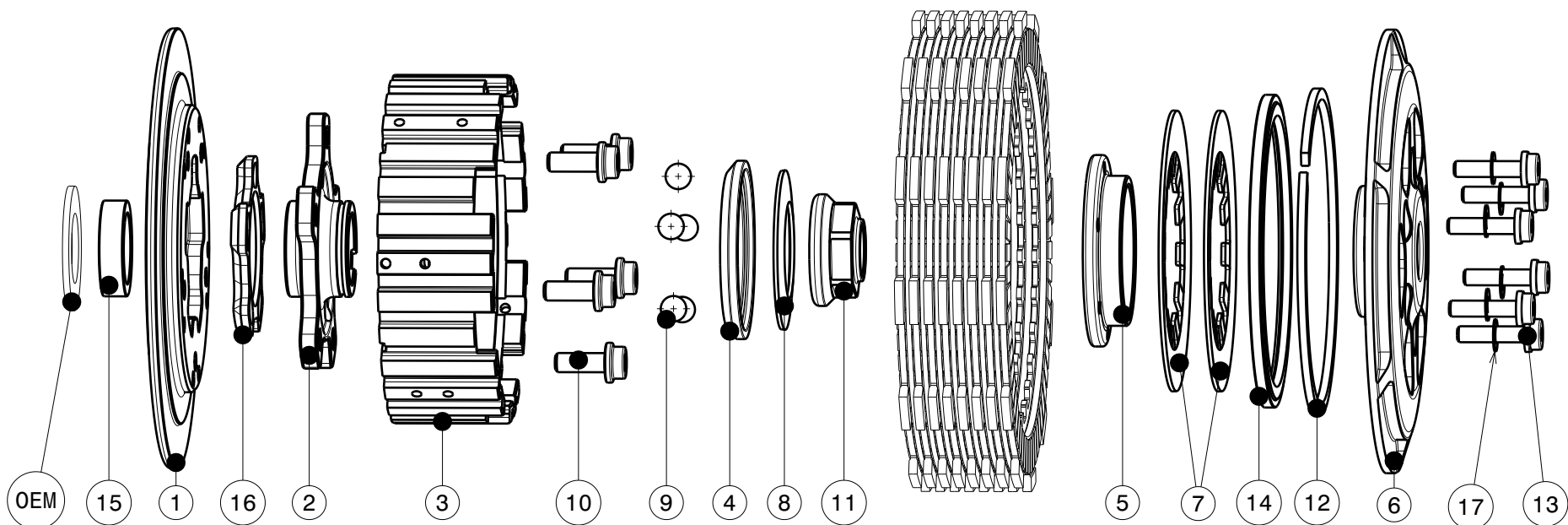


# 004-42006-1 SuterClutch TM250/300 2T 19-24



Das angegebene Belagpaketmass ist zwingend einzuhalten!  
The plate package thickness must be strictly adhered to!

ITEM	PART NAME	SRT NUMBER	QTY
1	Back Plate	004-21722	1
2	Hub Carrier	004-27703	1
3	Inner Hub	004-21741	1
4	Release Ring	004-09975	1
5	Clamp Hub 7mm	004-00507	1
6	Pressure Plate	004-42944	1
7	<b>Disk Spring Main ø88 700N</b>	<b>004-88070</b>	<b>2</b>
8	<b>Torque Limiter Spring 750N</b>	<b>004-50075</b>	<b>1</b>
	Torque Limiter Spring 600N	004-50060	1
	Torque Limiter Spring 850N	004-50085	1
9	Ball 8mm	004-17801	5
10	Bolt M6x16	004-17816	5
11	Main Nut M18x1.5 L=3.3	004-999181533	1
12	Circlip 100mm	004-17833	1
13	Distance Bolt M5 L=21.5mm	004-05215	6
14	Locking Ring 98mm	004-00698	1
15	Adapter Bush 7.5mm	004-42953	1
16	<b>Ramp Insert 27.5°</b>	<b>004-00721</b>	<b>1</b>
17	Distance Washer 0.5mm	004-00005	6