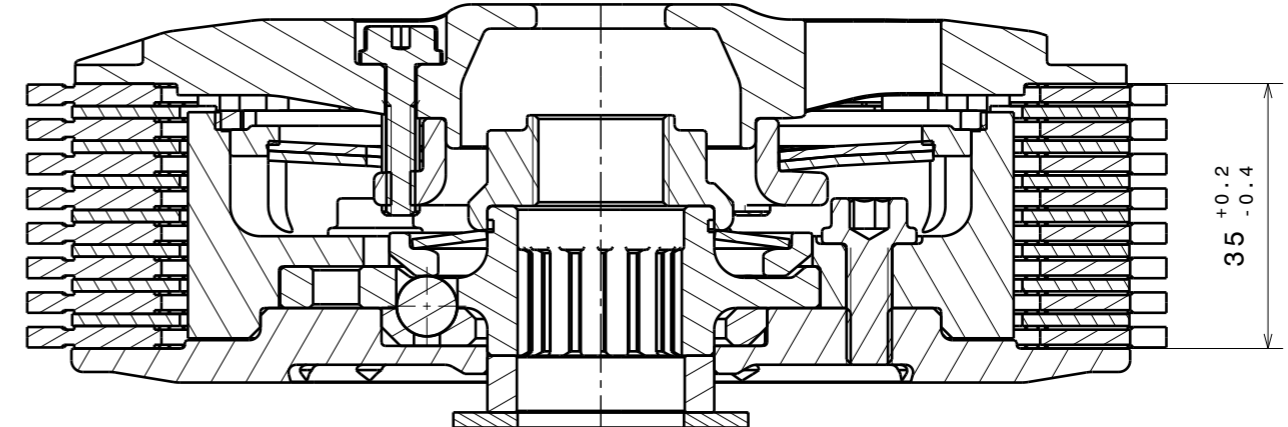
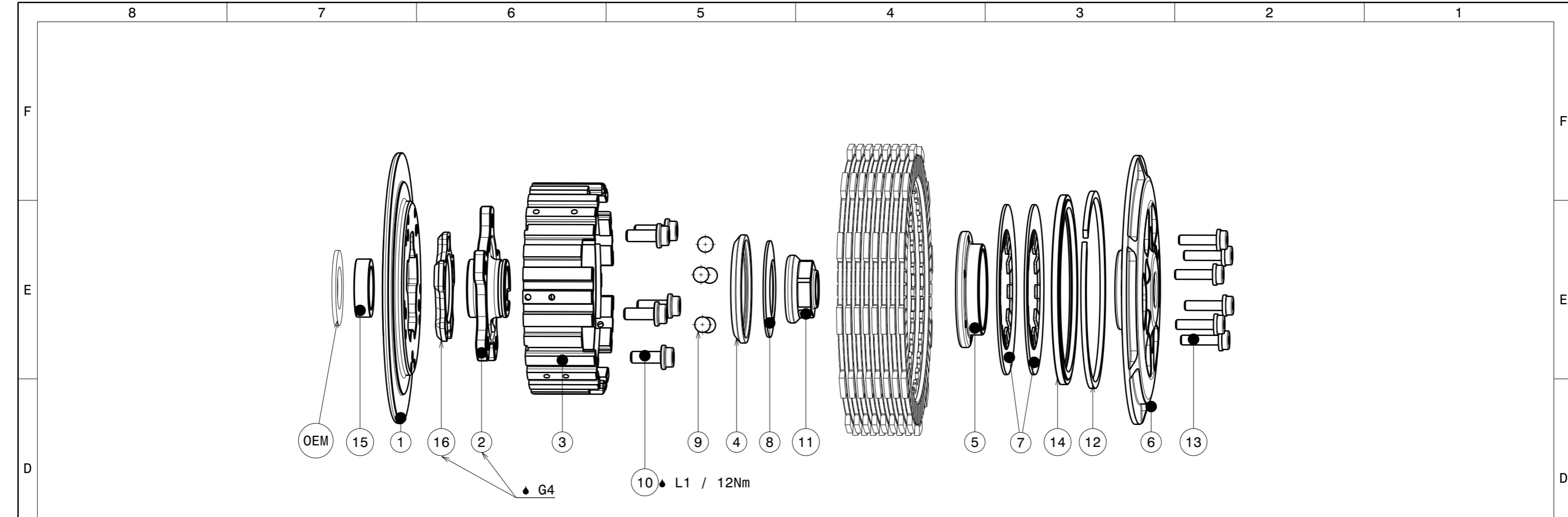


Copyright © SUTER Industries AG / Mettlenstrasse 3 / CH-8488 Turbenthal. Für dieses Dokument behalten wir uns alle Rechte vor. / We reserve all rights in connection with this document. CAD System: CATIA

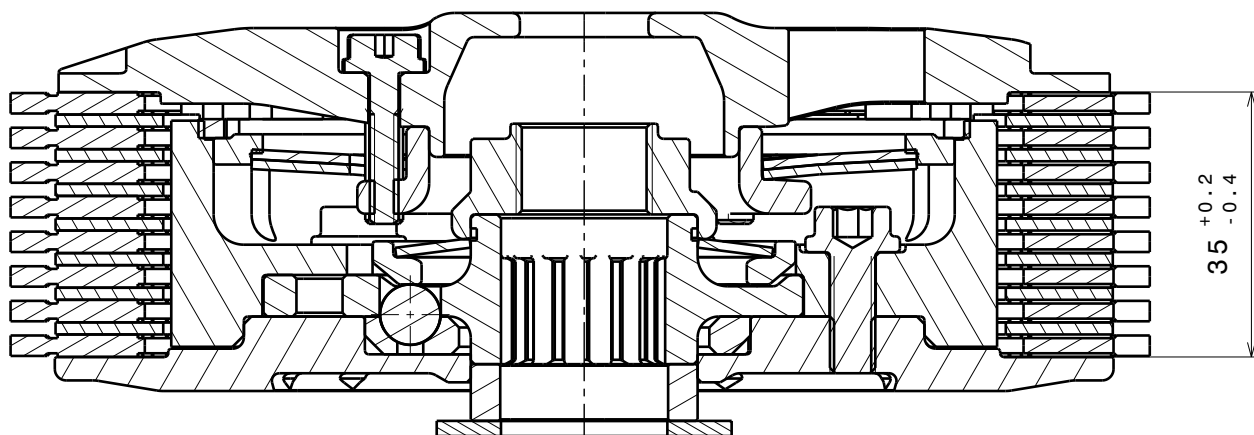
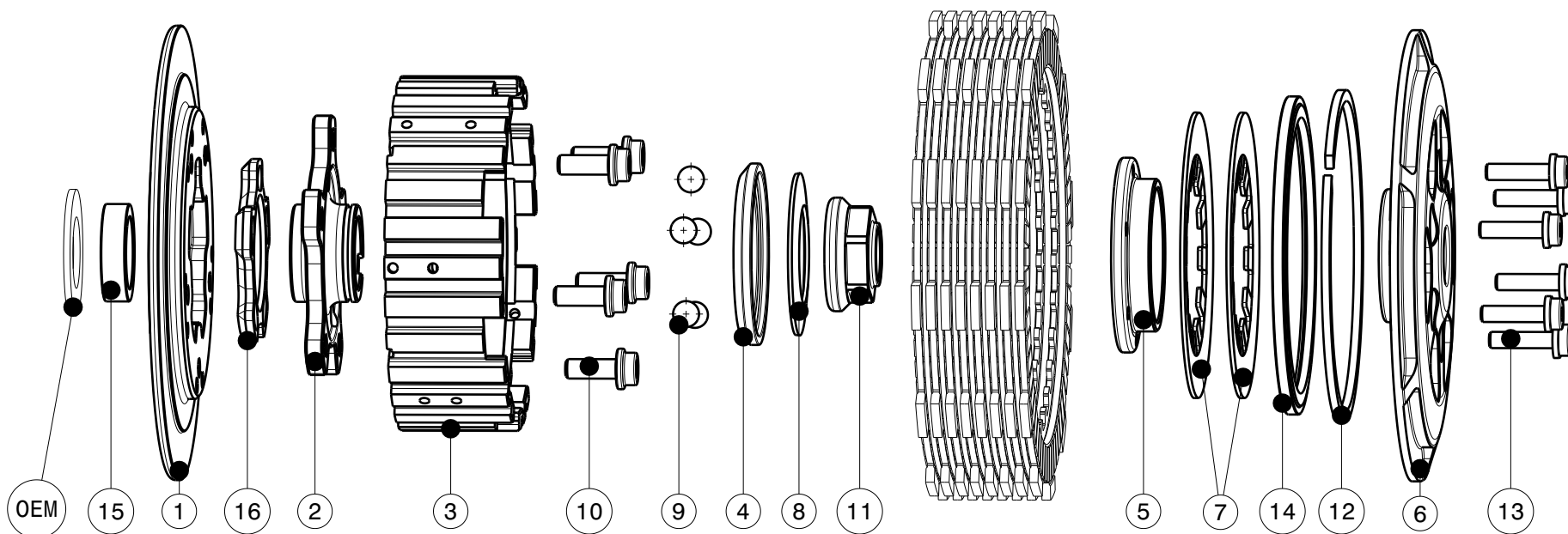


Fehlende Masse und Angaben sind dem 3D-CAD-Datensatz zu entnehmen  
For missing dimensions and details see 3D-CAD data set

| ITEM                       | PART NAME                         | SRT NUMBER       | QTY      |
|----------------------------|-----------------------------------|------------------|----------|
| 1                          | Back Plate                        | 004-21722        | 1        |
| 2                          | Hub Carrier                       | 004-27703        | 1        |
| 3                          | Inner Hub                         | 004-21741        | 1        |
| 4                          | Release Ring                      | 004-09975        | 1        |
| 5                          | Clamp Hub 7mm                     | 004-00507        | 1        |
| 6                          | Pressure Plate                    | 004-42944        | 1        |
| 7                          | <b>Disk Spring Main ø88 700N</b>  | <b>004-88070</b> | <b>2</b> |
| 8                          | <b>Torque Limiter Spring 750N</b> | <b>004-50075</b> | <b>1</b> |
| 9                          | Ball 8mm                          | 004-17801        | 5        |
| 10                         | Bolt M6x16                        | 004-17816        | 5        |
| 11                         | Main Nut M18x1.5 L=3.3            | 004-999181533    | 1        |
| 12                         | Circlip 100mm                     | 004-17833        | 1        |
| 13                         | Distance Bolt M5 L=20.0mm         | 004-05200        | 6        |
| 14                         | Locking Ring 98mm                 | 004-00698        | 1        |
| 15                         | Adapter Bush 7.5mm                | 004-42953        | 1        |
| 16                         | <b>Ramp Insert 27.5°</b>          | <b>004-00721</b> | <b>1</b> |
| <b>SETUP MATERIAL</b>      |                                   |                  |          |
| 8.1                        | Torque Limiter Spring 600N        | 004-50060        | 1        |
| 8.2                        | Torque Limiter Spring 850N        | 004-50085        | 1        |
| <b>ADDITIONAL MATERIAL</b> |                                   |                  |          |
|                            | SuterClutch packing compl. 2017   | 004-52042        | 1        |
|                            | Sticker SuterClutch 7x1.5cm       | 004-52050        | 2        |
|                            | Sticker SuterClutch 15x3.3cm      | 004-52051        | 2        |
|                            | Installation Manual SuterClutch   | 004-52060        | 1        |
|                            | Set Gap Measuring                 | 004-52100        | 1        |
|                            | Drawing "Kunde"                   | -                | 1        |

|  |  |  |  |  |  |  |  |
|--|--|--|--|--|--|--|--|
| Werkstoff (DIN) / Material (DIN)<br><b>SEE PARTLIST</b>  |  | Oberfläche/Surface<br>DIN ISO 1302             |  | Kantenbruch / break edges<br>ISO 13715                                   |  | Anzahl Prüfmerkmale / Number inspection characteristics<br>0       |  |
| Zertifikat / Attest<br>R <input type="checkbox"/> O <input type="checkbox"/> K <input type="checkbox"/> H <input type="checkbox"/> |  | Oberflächenbehandlung / Surface treatment<br>- |  | Toleranzangabe / Tolerance<br>DIN ISO 2768 - mK<br>DIN EN ISO 13920 - BF |  | Prüflos / inspection lot [%]<br>Q-Level / Level of quality<br>- L5 |  |
| Massstab/Scale<br>1:1  |  | Gewicht/Weight<br>0g                           |  | Format<br>A3   |  | Blatt/Sheet<br>1/2   |  |
| Datum/Date<br>13.11.2023   |  | Name<br>t.kuhn                                 |  | Gezeichnet/<br>designed  |  | Geprüft/<br>checked<br>13.11.2023<br>f.kunz                        |  |
| Datum/Date<br>13.11.2023   |  | Name<br>t.kuhn                                 |  | Freigegeben/<br>approved   |  | Artikel Nr. / Part No.<br>004-42006                                |  |
| Datum/Date<br>13.11.2023   |  | Name<br>t.kuhn                                 |  | Freigegeben/<br>approved   |  | Rev.<br>0  |  |
| SUTER INDUSTRIES   |  |  |  | SuterClutch TM 250/300 2T 19-23  |  |  |  |
|  |  |  |  | SuterClutch TM 250/300 2T 19-23  |  |  |  |

# 004-42006-0 SuterClutch TM250/300 2T 19-24



Das angegebene Belagpaketmass ist zwingend einzuhalten!  
The plate package thickness must be strictly adhered to!

| ITEM | PART NAME                         | SRT NUMBER       | QTY      |
|------|-----------------------------------|------------------|----------|
| 1    | Back Plate                        | 004-21722        | 1        |
| 2    | Hub Carrier                       | 004-27703        | 1        |
| 3    | Inner Hub                         | 004-21741        | 1        |
| 4    | Release Ring                      | 004-09975        | 1        |
| 5    | Clamp Hub 7mm                     | 004-00507        | 1        |
| 6    | Pressure Plate                    | 004-42944        | 1        |
| 7    | <b>Disk Spring Main ø88 700N</b>  | <b>004-88070</b> | <b>2</b> |
| 8    | <b>Torque Limiter Spring 750N</b> | <b>004-50075</b> | <b>1</b> |
|      | Torque Limiter Spring 600N        | 004-50060        | 1        |
|      | Torque Limiter Spring 850N        | 004-50085        | 1        |
| 9    | Ball 8mm                          | 004-17801        | 5        |
| 10   | Bolt M6x16                        | 004-17816        | 5        |
| 11   | Main Nut M18x1.5 L=3.3            | 004-999181533    | 1        |
| 12   | Circlip 100mm                     | 004-17833        | 1        |
| 13   | Distance Bolt M5 L=20.0mm         | 004-05200        | 6        |
| 14   | Locking Ring 98mm                 | 004-00698        | 1        |
| 15   | Adapter Bush 7.5mm                | 004-42953        | 1        |
| 16   | <b>Ramp Insert 27.5°</b>          | <b>004-00721</b> | <b>1</b> |