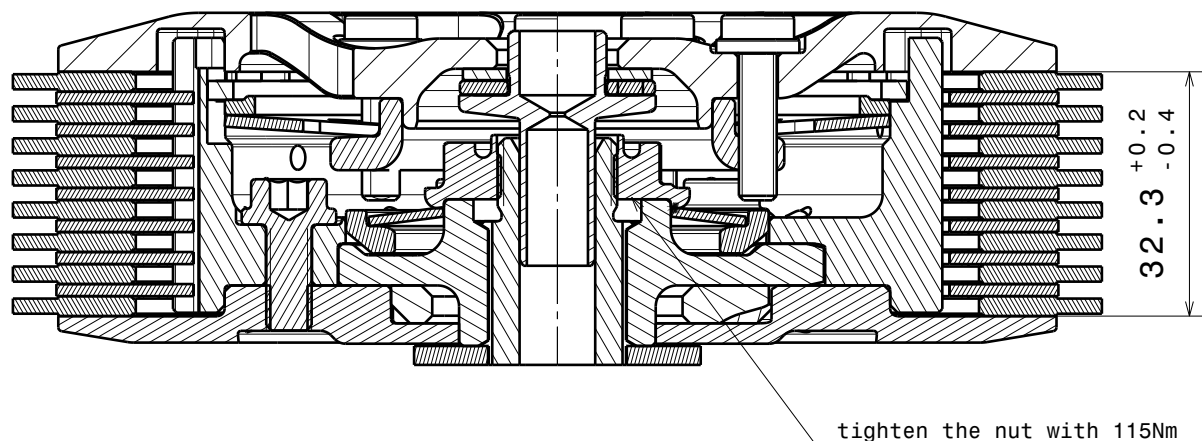
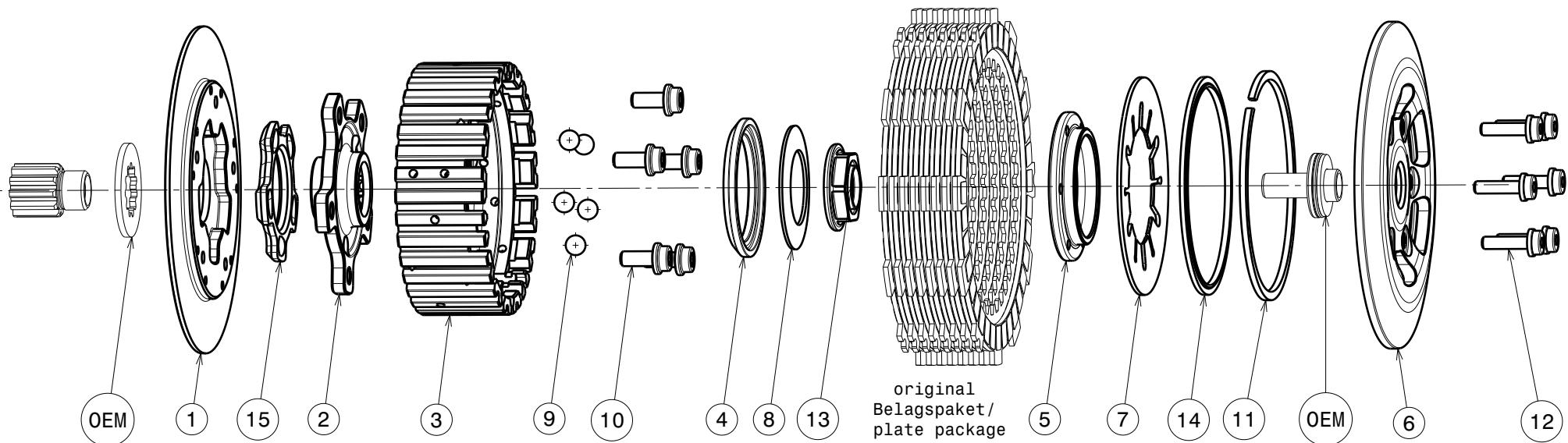


004-31004-0 SuterClutch Kawasaki KX250F 2021



Das angegebene Belagspaketmass ist zwingend einzuhalten!
The plate package thickness must be strictly adhered to!

Partlist: 3143			
ITEM	PART NAME	SRT NUMBER	QTY
1	Back Plate Insert	004-31722	1
2	Hub Carrier	004-31701	1
3	Inner Hub	004-31740	1
4	Release Ring	004-09975	1
5	Clamp Hub 5.0mm	004-00505	1
6	Pressure Plate	004-31942	1
7	Disk Spring Main 47x88x1100N	004-88110	1
8	Torque Limiter Spring 1100N	004-50110	1
	Torque Limiter Spring 950N	004-50095	1
9	Ball 8	004-17801	5
10	Bolt M6x14	004-17814	5
11	Circlip 90	004-17804	1
12	Distance Bolt M5x19.5	004-05195	6
13	Main Nut M16x1 L=1.2	004-99161012	1
14	Locking Ring 88mm	004-00688	1
15	Ramp Insert 27.5°	004-00721	1