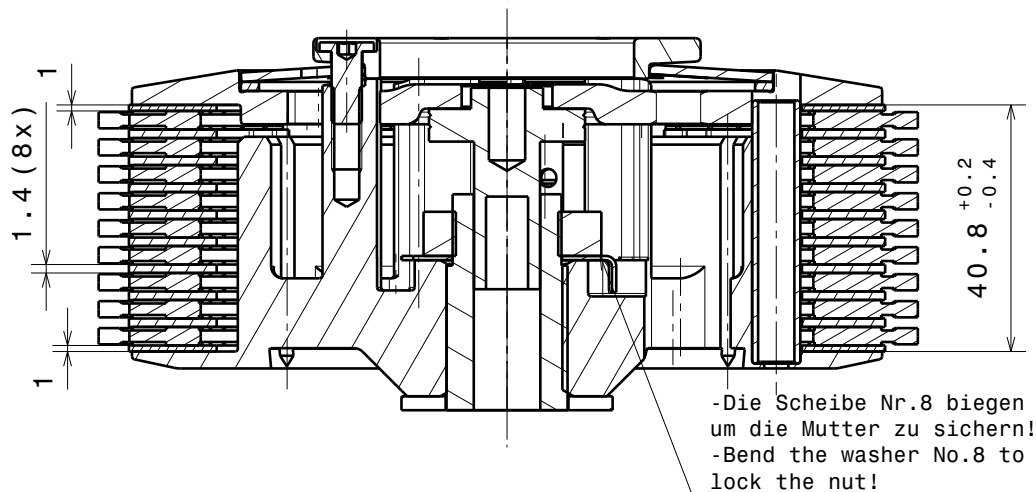
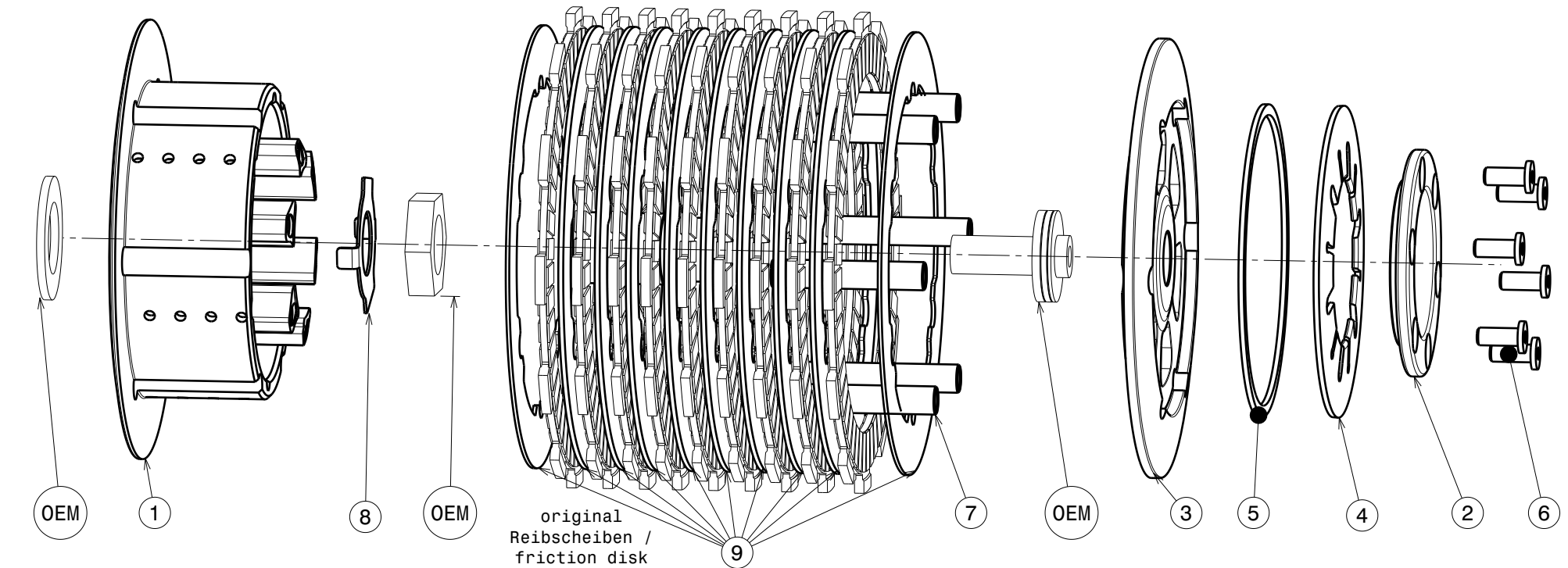


# 004-29054-3 SuterClutch MX-Line EVO

## Honda CRF250R 22-26



**Das angegebene Paketmass ist zwingend einzuhalten!**  
**The plate package thickness must be strictly adhered to!**

ITEM	PART NAME	PART NUMBER	QTY
1	Inner Hub CRF 250	004-29742	1
2	Spring Ring Alu	004-55616	1
3	Pressure Plate CRF250	004-29949	1
4	<b>Disk Spring Main ø88 1400N</b>	<b>004-88140</b>	<b>1</b>
5	Locking Ring	004-55690	1
6	Hex socket bolt M5x12	BN1206-M5x12	6
7	Hollow Dowel 43.5mm	004-994408435	6
8	Locking Washer 18x31x0.7	004-00673	1
9	Steeldisc Set EVO Honda CRF250R	004-29800	1