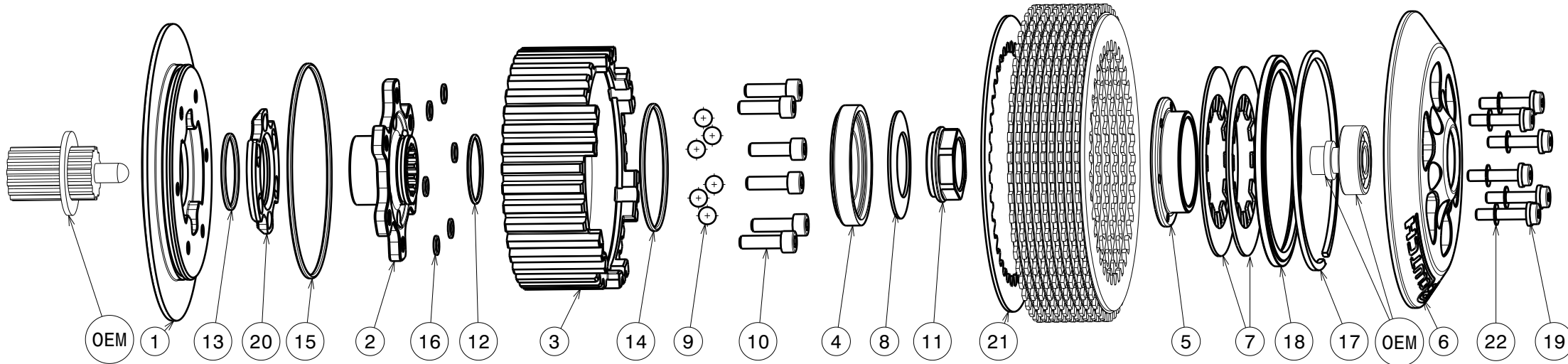
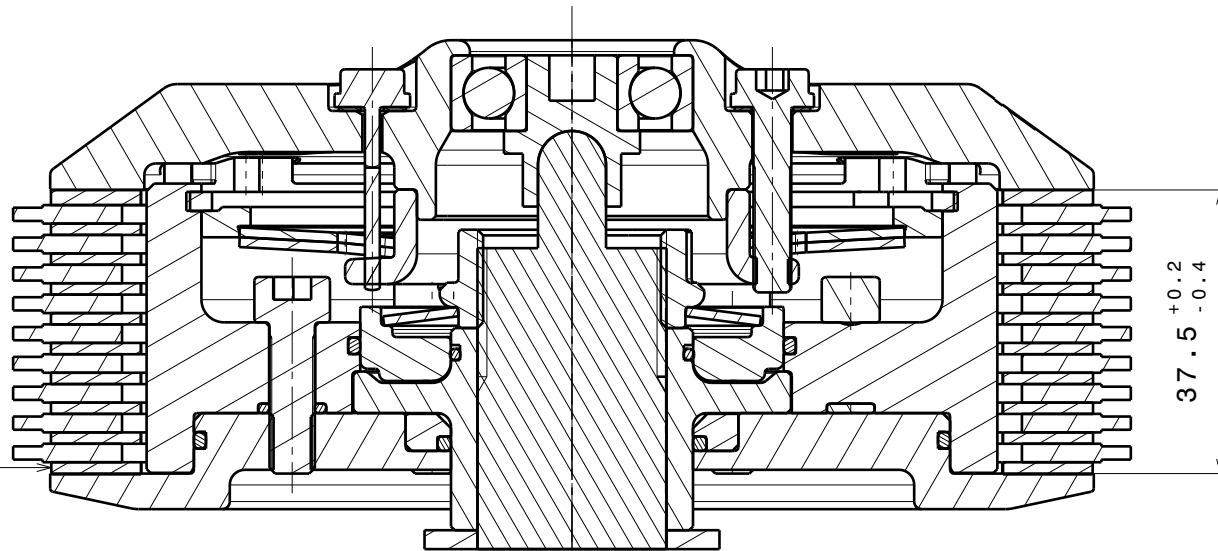


004-28013-1 SuterClutch Ducati Panigale V4R/SP



Partlist: 2879			
ITEM	PART NAME	SRT NUMBER	QTY
1	Back Plate	004-28730	1
2	Hub Carrier	004-28706	1
3	Inner Hub	004-28749	1
4	Release Ring	004-28977	1
5	Clamp Hub 9mm H=3.5mm	004-00539	1
6	Pressure Plate	004-28944	1
7	Disk Spring Main ø88 700N	004-88070	2
8	Torque Limiter Spring 1500N	004-50150	1
	Torque Limiter Spring 1300N	004-50130	1
	Torque Limiter Spring 1700N	004-50170	1
9	Ball 8mm	004-17801	6
10	Bolt M6x20 Hexagon Socket	004-28620	6
11	Nut M25x1.5	004-28956	1
12	O-Ring 29x1.5	004-28101	1
13	O-Ring 32x2 FPM	004-28103	1
14	O-Ring 56x2.0 FPM	004-28104	1
15	O-Ring 96x2 FPM	004-28105	1
16	O-Ring 6.0x1.5 FPM	004-28106	6
17	Circlip 100mm	004-17833	1
18	Locking Ring 98mm	004-00698	1
19	Distance Bolt M5 L=24.5mm	004-05245	6
20	Ramp Insert 35°	004-28712	1
21	Steel disc 1.6mm	004-23812	1
22	Distance Washer 0.5mm	004-00005	6



Das Belagspacket muss durch die mitgelieferte Stahlscheibe (Pos.21) ergänzt werden
The plate package has to be extended with the delivered steel disc (Pos.21)

Das angegebene Belagspaketmass ist zwingend einzuhalten!
The plate package thickness must be strictly adhered to!