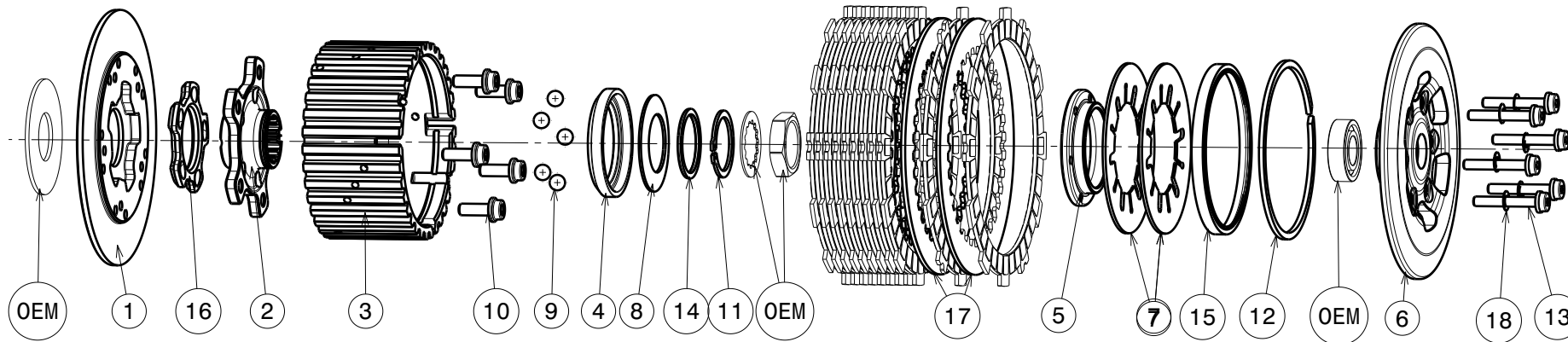
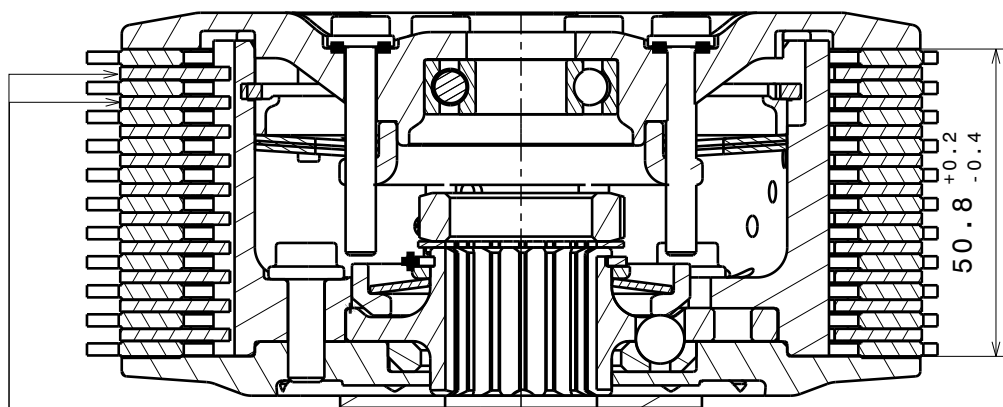


004-28011-1 SuterClutch Ducati 959 - 1299 / V4



Das angegebene Belagspaketmass ist zwingend einzuhalten!
The plate package thickness must be strictly adhered to!



Diese Stahlscheiben müssen durch die mitgelieferten (Pos.17) ersetzt werden
This steel disks have to be replaced with the delivered ones (Pos.17)

POS	PART NAME	SRT NUMBER	QTY
1	BACK PLATE	004-28729	1
2	HUB CARRIER	004-28705	1
3	INNER HUB	004-28747	1
4	RELEASE RING	004-42976	1
5	KLAMP HUB 6mm	004-00506	1
6	PRESSURE PLATE	004-28949	1
7	MAIN SPRING 47x88x900N	004-88090	2
8	TORQUE LIMITER SPRING 1300N	004-50130	1
8.1	TORQUE LIMITER SPRING 1500N	004-50150	1
8.2	TORQUE LIMITER SPRING 1100N	004-50110	1
9	BALL 8mm	004-17801	5
10	BOLT M6x17	004-17802	5
11	CIRCLIP 30mm	004-00030	1
12	CIRCLIP 90mm	004-17804	1
13	DISTANCE BOLT M5x34.5	004-05345	6
14	DISTANCE RING 30x36x2	004-17610	1
15	LOCKING RING ø88	004-18688	1
16	RAMP INSERT 35°	004-00724	1
17	STEEL DISC 2.0mm	004-46920	2
18	DISTANCE WASHER 0.3mm	004-00003	6

Model	Year
959 Panigale (S,Conse)	2016
	2019
	2017
1299 Panigale (S,R)	2015
	2017
1199 Panigale (S,R)	2013
	2017
Panigale V2	2022
	2018
Panigale V4/V4S	2021
	2020
Streetfighter V4/V4S	2021
	2022
Streetfighter V2	2012
	2019
1260/1200 Multistrada	2021
	2021
Multistrada V4/V4S	2021
	2022
Multistrada V2	2014
	2017
1200 Monster (S,R)	2011
	2013
1100 Monster EVO	2014
	2016
Diavel	2016
	2017
XDiavel	2016
	2017
1100 Scrambler	2023
	2019
950 Multistrada	2019
	2023
950 Hypermotard	2019
	2023
950 Supersport	2019
	2023