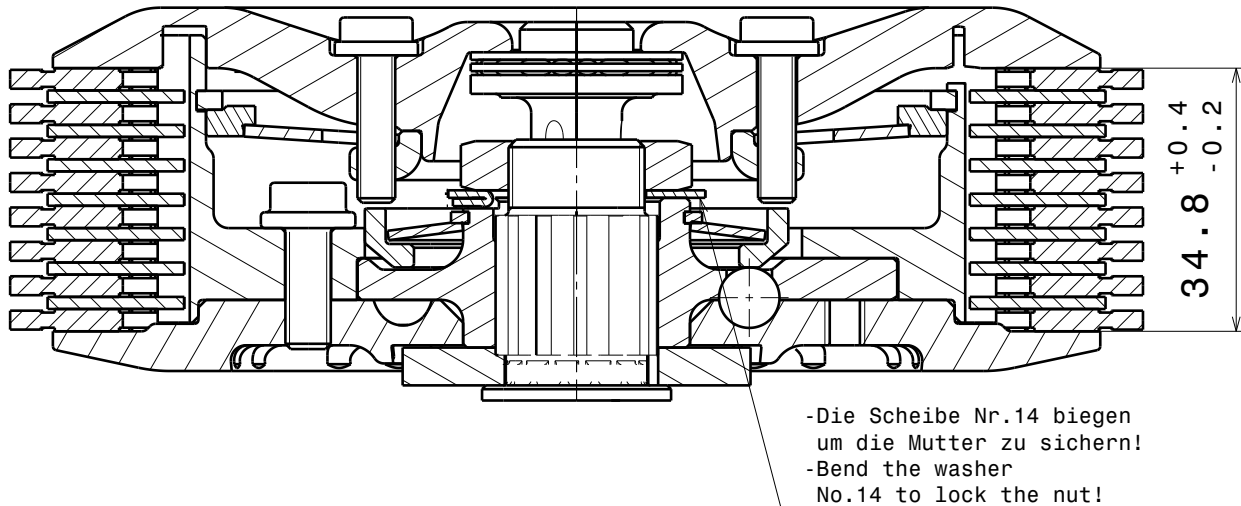
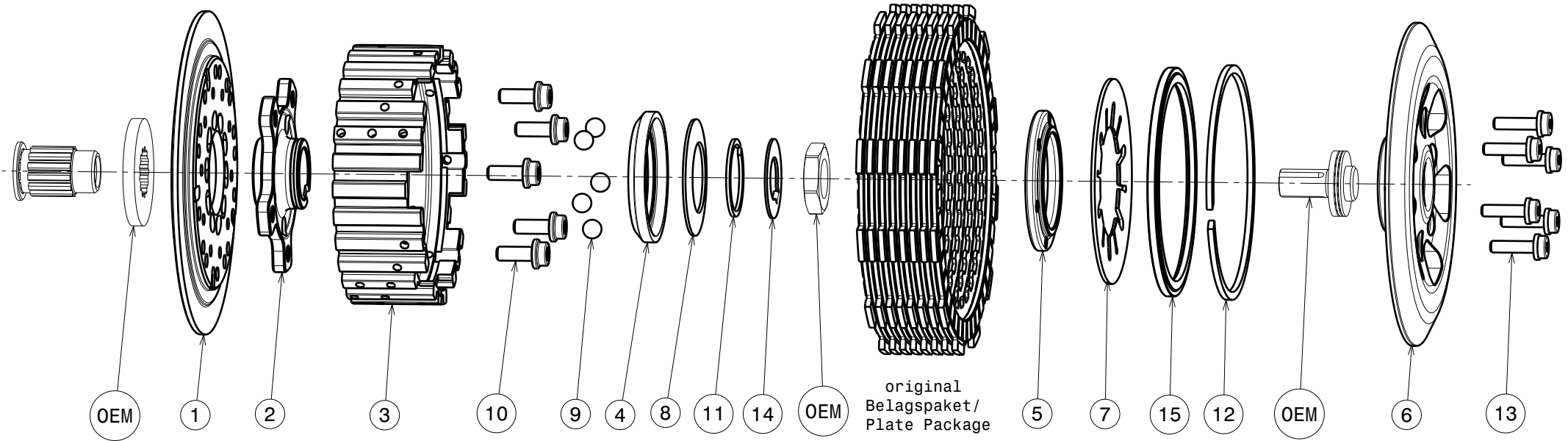


# 004-27002-1 SuterClutch Husqvarna 450/510 08-11 610/630 08-11



**Das angegebene Belagspaketmass ist zwingend einzuhalten!**  
**The plate package thickness must be strictly adhered to!**

ITEMS LIST (313)			
ITEM	PART NAME	SRT NUMBER	QTY
1	BACK PLATE 35°	004-27722	1
2	HUB CARRIER	004-27703	1
3	INNER HUB	004-27741	1
4	RELEASE RING	004-15975	1
5	KLAMP HUB 2mm	004-00502	1
6	PRESSURE PLATE	004-27941	1
7	<b>DISK SPRING MAIN 47x88x1400N</b>	<b>004-88140</b>	<b>1</b>
8	<b>TORQUE LIMITER SPRING 1100N</b>	<b>004-50110</b>	<b>1</b>
8.1	TORQUE LIMITER SPRING 750N	004-50075	1
8.2	TORQUE LIMITER SPRING 950N	004-50095	1
8.3	TORQUE LIMITER SPRING 1300N	004-50130	1
9	BALL 8.0mm	004-17801	5
10	SCREW M6x16	004-17816	5
11	CIRCLIP 30mm	004-17803	1
12	CIRCLIP 100mm	004-17833	1
13	DISTANCE SCREW M5x19.5	004-05195	6
14	LOCKING WASHER 18x34x1	004-08670	1
15	LOCKING RING	004-00698	1