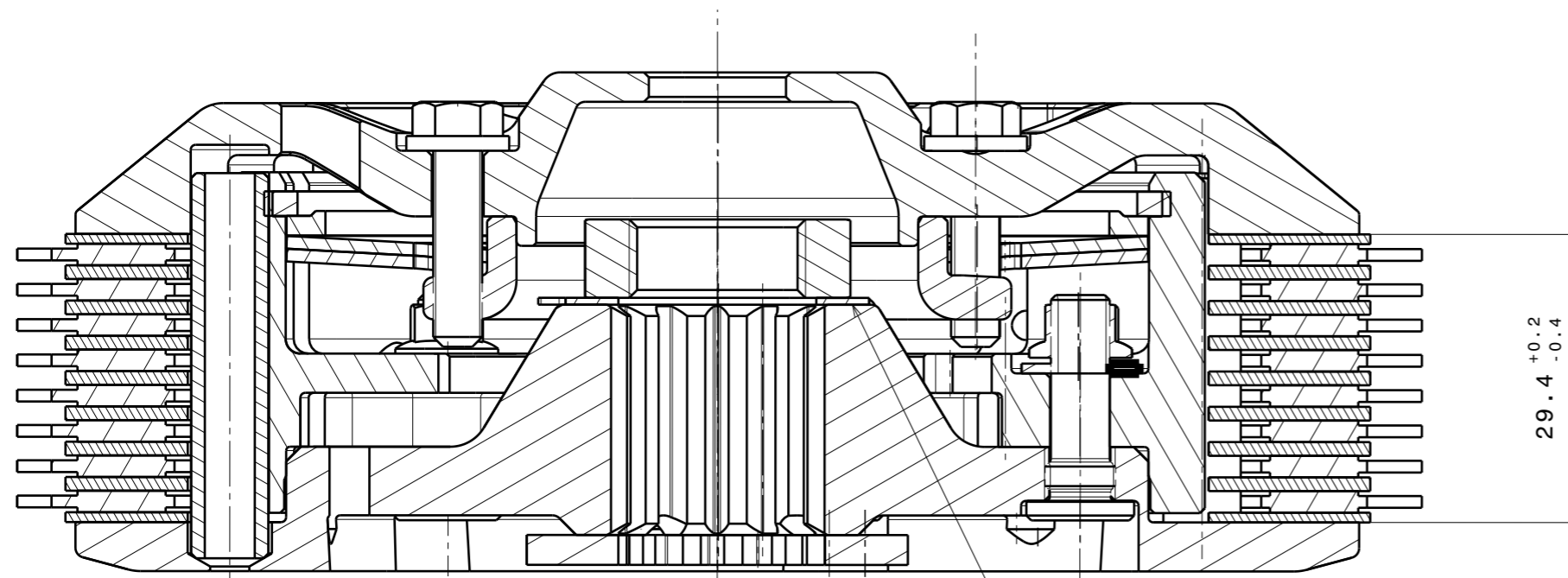
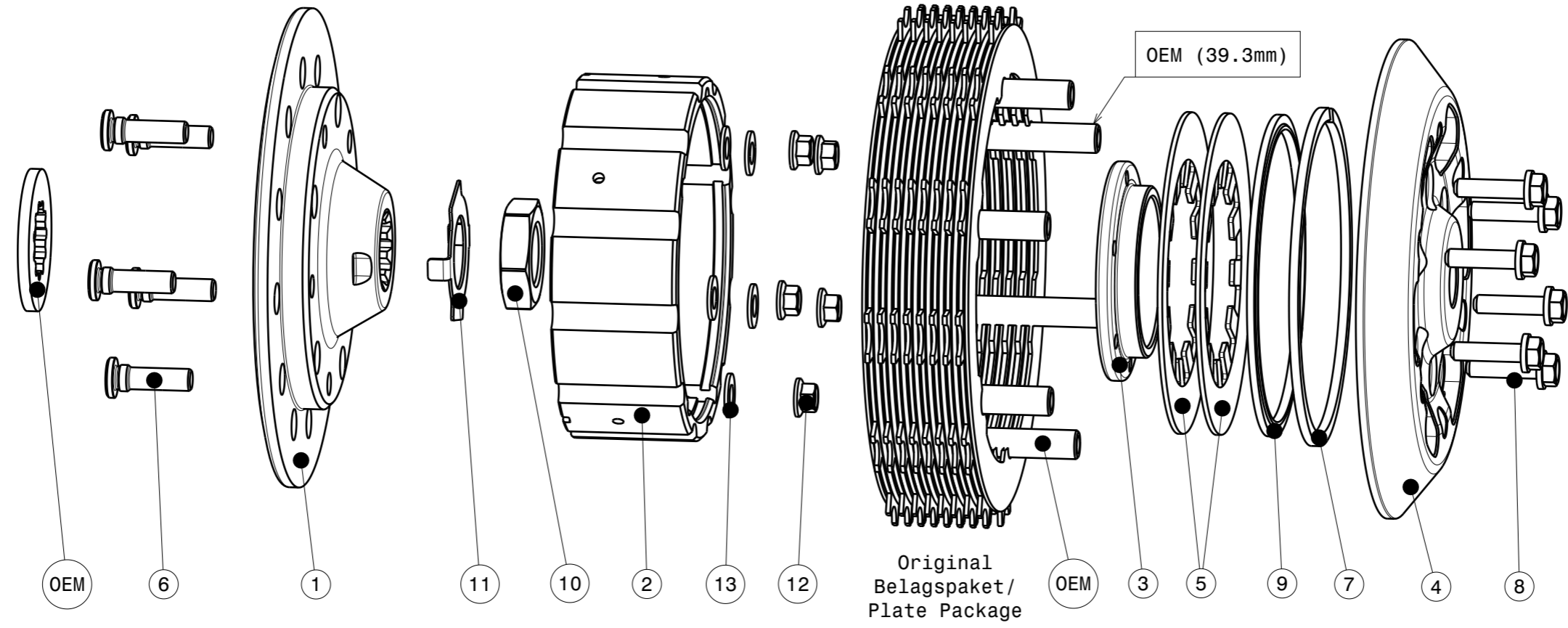


# 004-26052-0 SuterClutch MX-Line Yamaha YZ450F 2023



-Die Scheibe Pos.11 biegen  
um die Mutter zu sichern!  
-Bend the washer No.11  
to lock the nut!

ITEM	PART NAME	PART NUMBER	QTY
1	Back Plate PD YZ450F 2023	004-26732	1
2	Inner Hub YZ450F	004-26743	1
3	Clamp Hub 6mm	004-00506	1
4	Pressure Plate	004-26949	1
5	<b>Disk Spring Main ø88 700N</b>	<b>004-88070</b>	<b>2</b>
6	Stud Moto2 Backplate	004-12980	5
7	Circlip 90mm	004-17804	1
8	Hex. Head Bolt M5x20	999-11025020	6
9	Locking Ring 88mm	004-00688	1
10	Nut M18x1.5	004-998181580	1
11	Locking Washer 20x31x0.7	004-00672	1
12	Flanged Nut self-locking M6	999-12030605	5
13	Washer M6	BN1976-6x12x1	5

**Das angegebene Belagspaketmass ist zwingend einzuhalten!**  
**The plate package thickness must be strictly adhered to!**