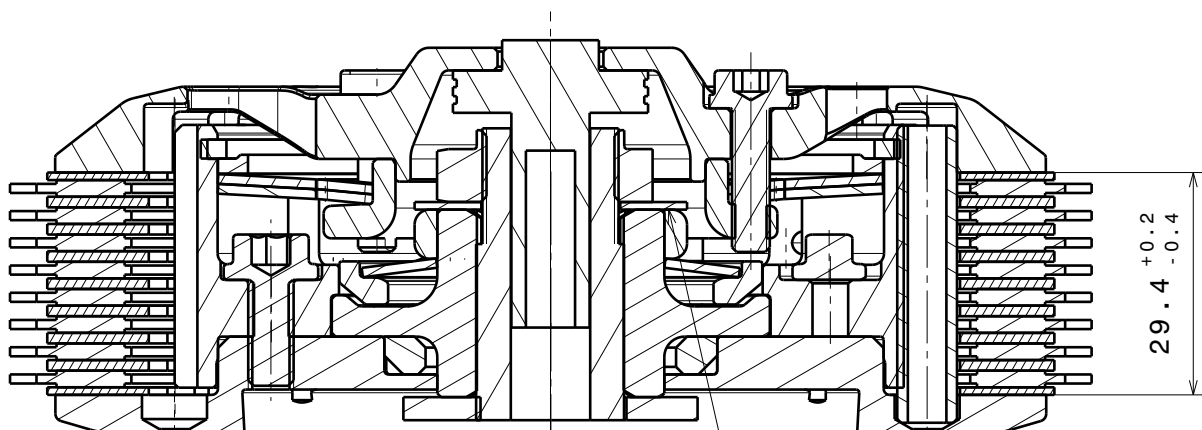
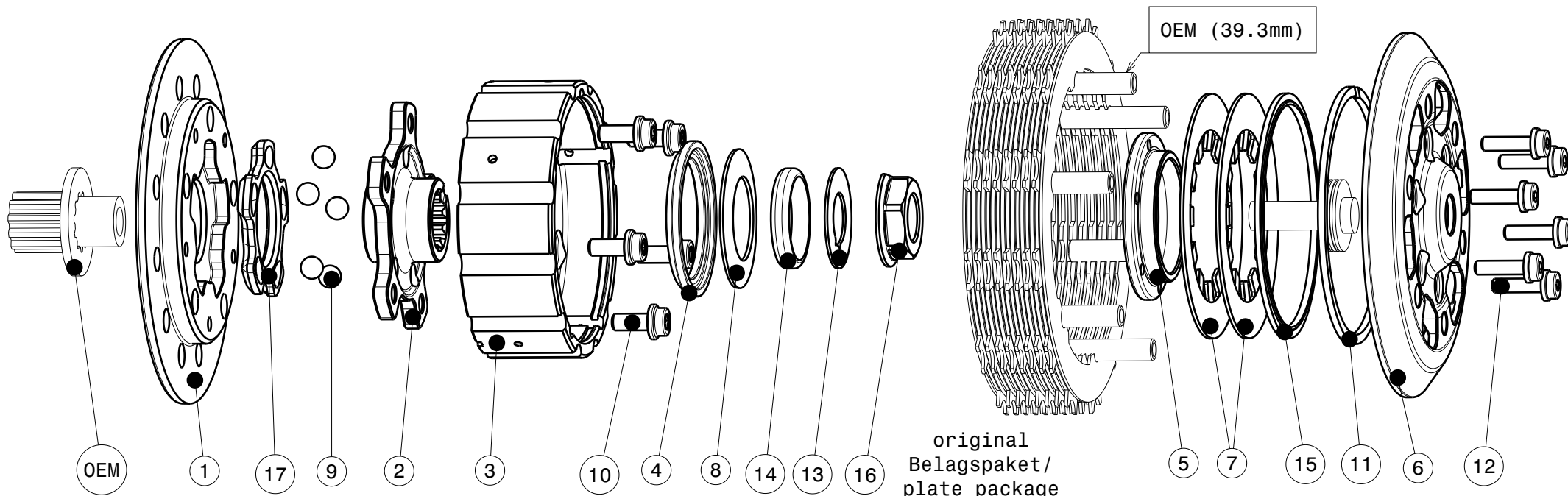


004-26007-1 SuterClutch Yamaha YZ450F 2023



-Die Scheibe Nr.13 biegen um die Mutter zu sichern!
 -Bend the Washer No.13 to lock the nut!

ITEM	PART NAME	PART NUMBER	QTY
1	Back Plate YZ450F	004-26731	1
2	Hub Carrier	004-26701	1
3	Inner Hub YZ450F	004-26743	1
4	Release Ring	004-09975	1
5	Clamp Hub 6mm	004-00506	1
6	Pressure Plate	004-26949	1
7	Disk Spring Main ø88 700N	004-88070	2
8	Torque Limiter Spring 1100N	004-50110	1
8.1	Torque Limiter Spring 950N	004-50095	1
9	Ball 8mm	004-17801	5
10	Bolt M6x14	004-17814	5
11	Circlip 90mm	004-17804	1
12	Distance Bolt M5 L=19.0mm	004-05190	6
13	Locking Washer 18/34/1	004-55671	1
14	Distance Ring 6.5mm	004-55610	1
15	Locking Ring 88mm	004-00688	1
16	Main Nut M18x1	004-26960	1
17	Ramp Insert 27.5°	004-00721	1

Das angegebene Belagspaketmass ist zwingend einzuhalten!
The plate package thickness must be strictly adhered to!