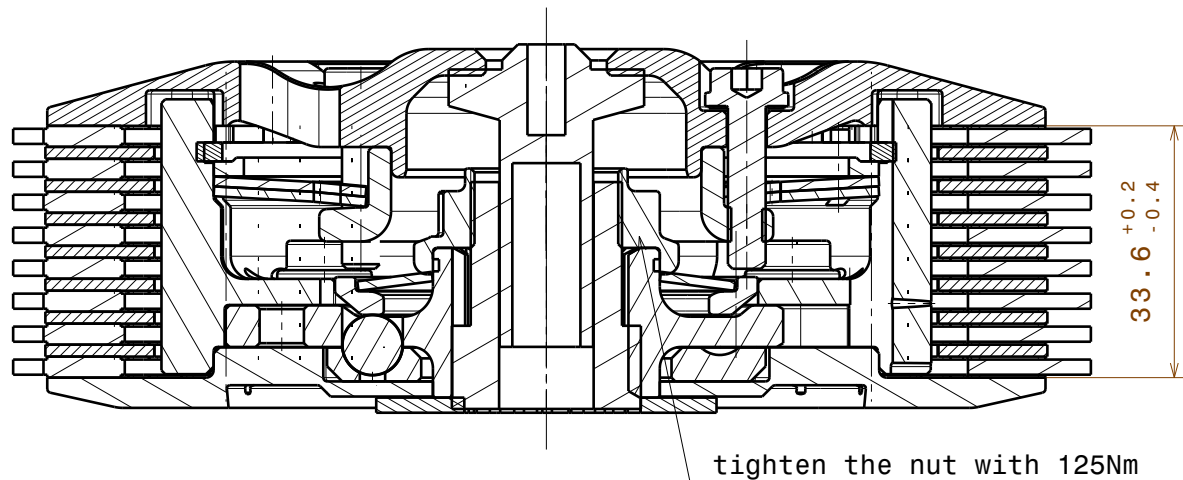
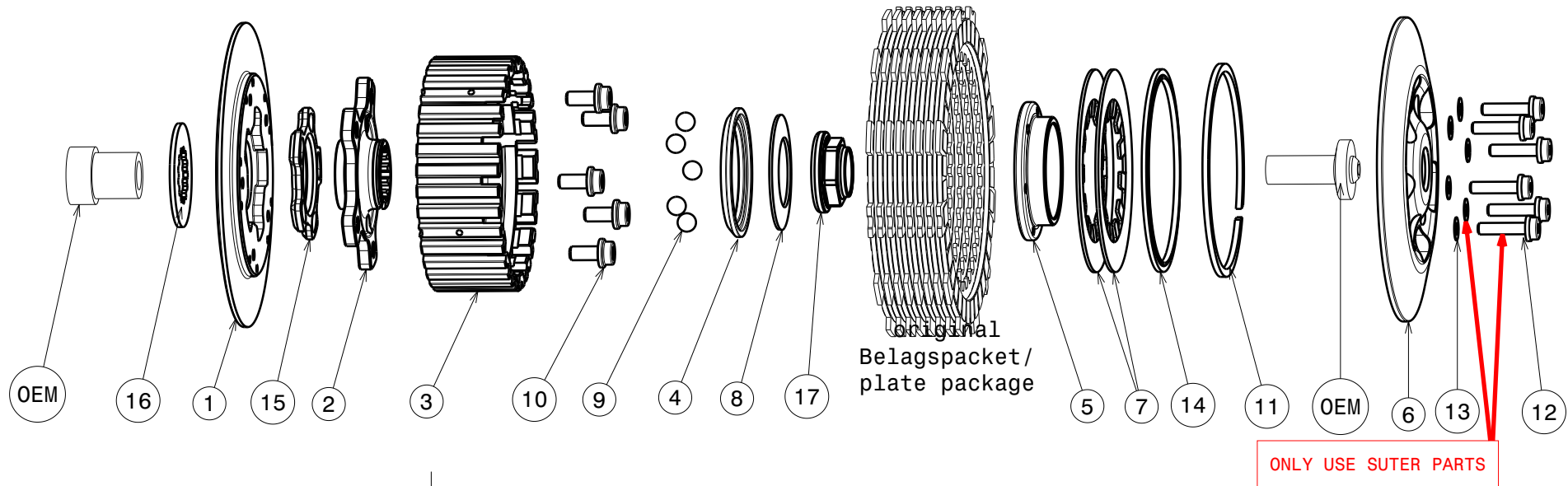


# 004-22006-6 SuterClutch Yamaha / Fantic 250



**Das angegebene Belagspaketmass ist zwingend einzuhalten!**  
**The plate package thickness must be strictly adhered to!**

ITEM	PART NAME	SRT NUMBER	QTY
1	Back Plate	004-22726	1
2	Hub Carrier	004-22704	1
3	Inner Hub	004-31740	1
4	Release Ring 3.1x5.0	004-00976	1
5	Clamp Hub 8mm	004-00508	1
6	Pressure Plate	004-22945	1
7	<b>Disk Spring Main ø88 600N</b>	<b>004-88060</b>	<b>2</b>
8	<b>Torque Limiter Spring 1100N</b>	<b>004-50110</b>	<b>1</b>
	Torque Limiter Spring 950N	004-50095	1
9	Ball 8mm	004-17801	5
10	Bolt M6x13	004-17835	5
11	Circlip 90mm	004-17804	1
12	Distance Bolt M5 L=21.5mm	004-05215	6
13	Distance Washer 0.3mm	004-00003	6
14	Locking Ring 88mm	004-00688	1
15	<b>Ramp Insert 27.5°</b>	<b>004-00741</b>	<b>1</b>
16	Thrust Washer 25x45x2	004-22664	1
17	Main Nut MX M20x1 L=3.5	004-99201035	1

Fantic	Yamaha	
XXF 250	YZ250F	WR250F
2022	2019	2020
-	-	-
2023	2022	2023