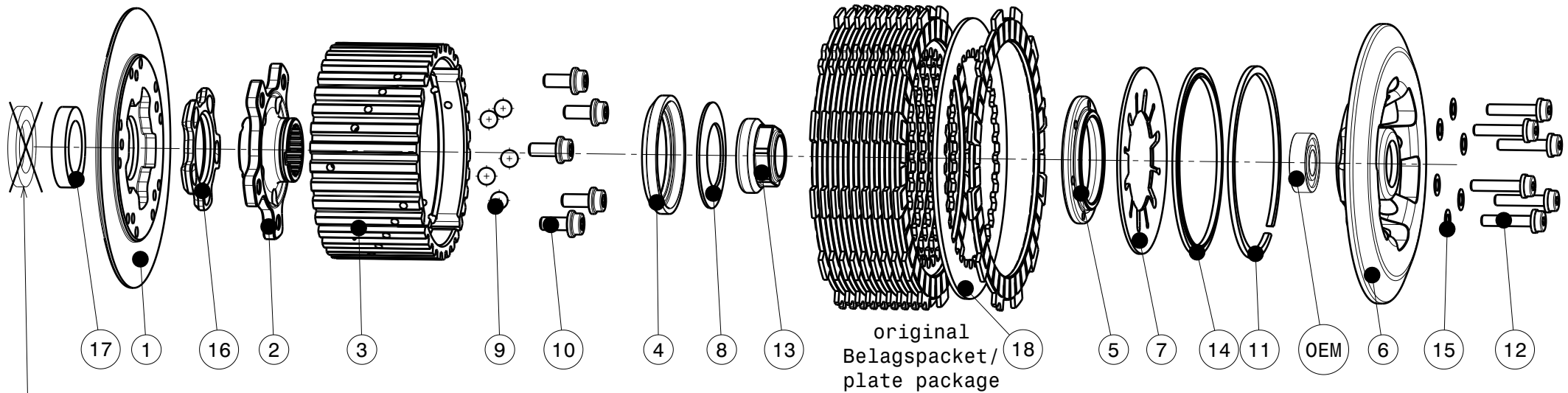
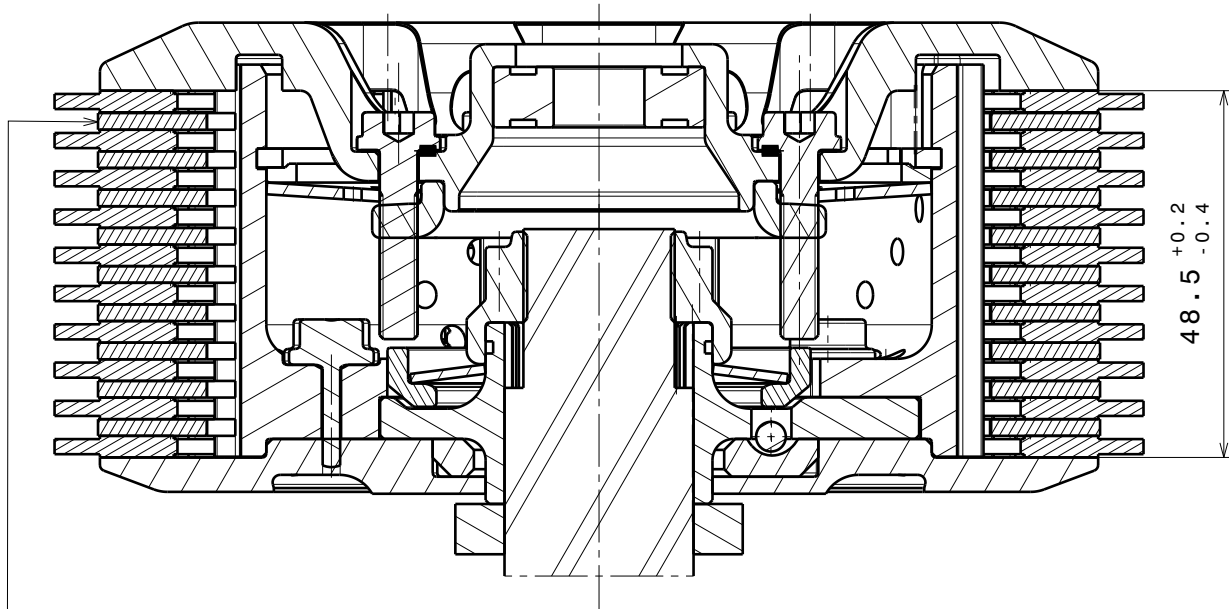


# 004-15008-8 SuterClutch Yamaha R1/M 15-21



Die OEM-Scheibe nicht verwenden!  
Don't use the OEM-washer!



Diese Stahlscheibe muss durch die mitgelieferte (Pos.18) ersetzt werden  
This steel disk has to be replaced with the delivered one (Pos.18)

**Das angegebene Belagspaketmass ist zwingend einzuhalten!**  
**The plate package thickness must be strictly adhered to!**

ITEM LIST (1451)			
ITEM	PART NAME	SRT NUMBER	QTY
1	BACK PLATE INSERT	004-15726	1
2	HUB CARRIER	004-15704	1
3	INNER HUB	004-15746	1
4	RELEASE RING	004-15975	1
5	KLAMP HUB 3mm	004-00503	1
6	PRESSURE PLATE	004-15948	1
7	<b>MAIN SPRING 47x88x1500N</b>	<b>004-88150</b>	<b>1</b>
8	<b>TORQUE LIMITER SPRING 1300N</b>	<b>004-50130</b>	<b>1</b>
8.1	TORQUE LIMITER SPRING 1500N	004-50150	1
8.2	TORQUE LIMITER SPRING 1100N	004-50110	1
9	BALL 8mm	004-17801	5
10	BOLT M6x14	004-17814	5
11	CIRCLIP 90mm	004-17804	1
12	DISTANCE BOLT M5x25.0	004-05250	6
13	MAIN NUT M20x1 L=5.5	004-999201055	1
14	LOCKING RING 88mm	004-00688	1
15	DISTANCE WASHER 0.2mm	004-00002	6
16	<b>RAMP INSERT 32.5°</b>	<b>004-00723</b>	<b>1</b>
17	THRUST WASHER R1 (7.0)	004-15952	1
18	STEEL DISK 2.6mm	004-15921	1