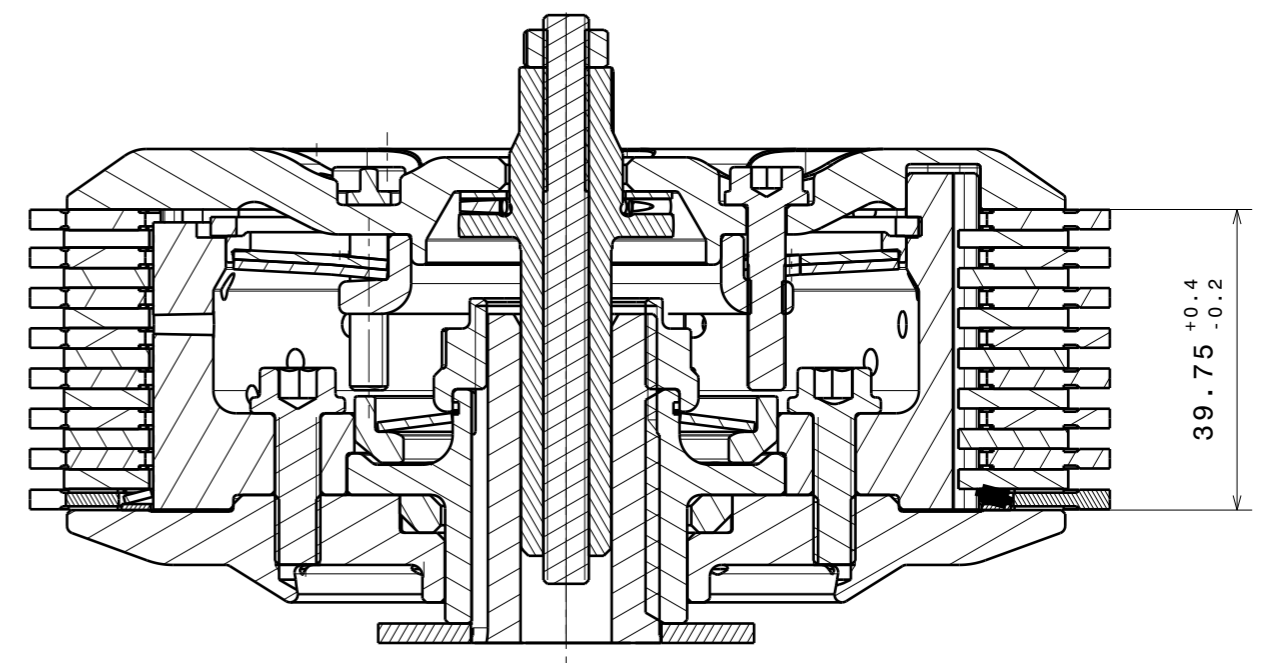
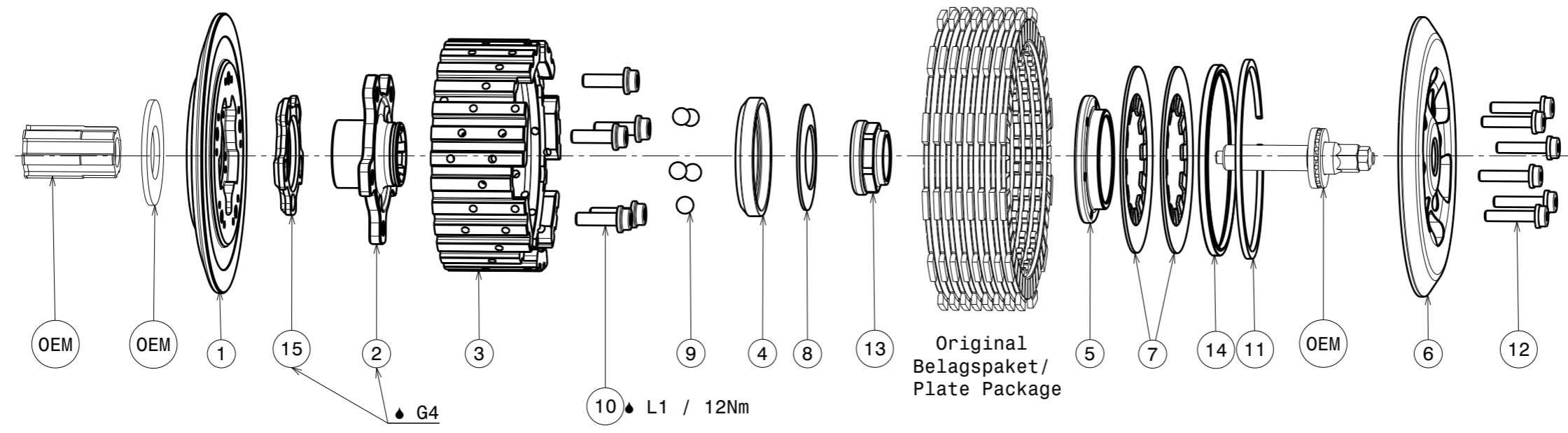


Copyright © SUTER Industries AG / Mettlenstrasse 3 / CH-8488 Turbenthal. Fuer dieses Dokument behalten wir uns alle Rechte vor. / We reserve all rights in connection with this document.
CAD System: CATIA

ISS	GRID	DCR	DESCRIPTION OF CHANGE	DATE	SIG
1	XX	xx	change to double spring	06-NOV-23	TK

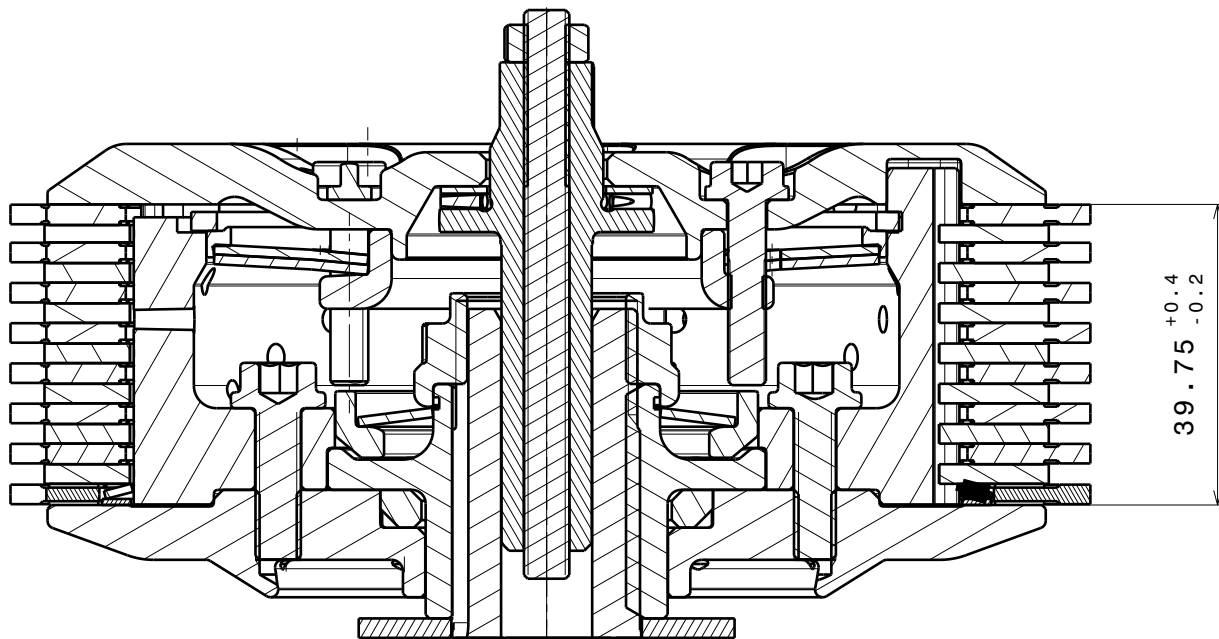
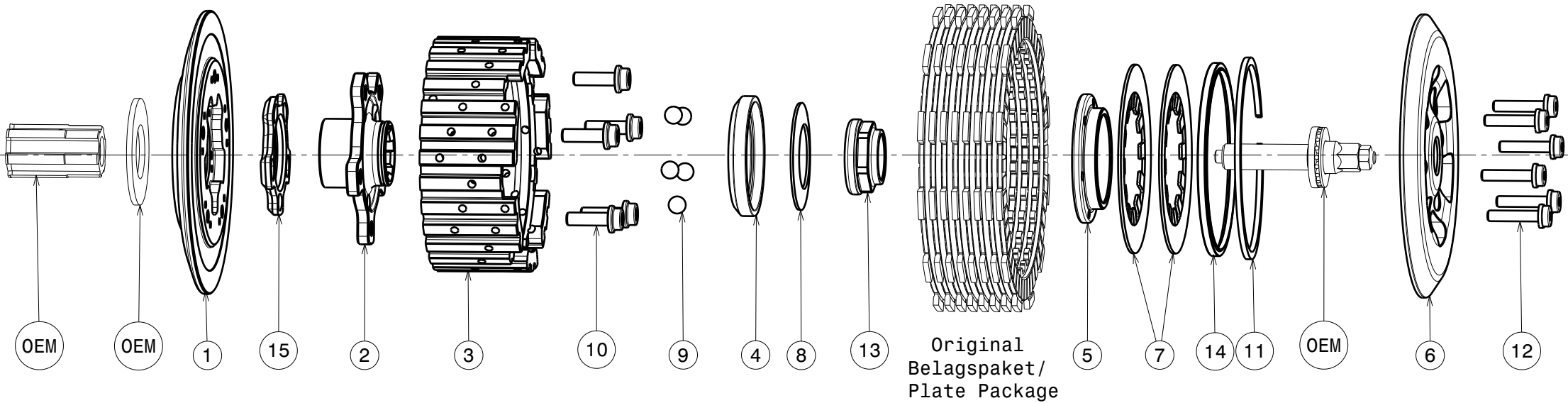


Fehlende Masse und Angaben sind dem 3D-CAD-Datensatz zu entnehmen
For missing dimensions and details see 3D-CAD data set

ITEM	PART NAME	SRT NUMBER	QTY
1	Back Plate	004-13721	1
2	Hub Carrier	004-13700	1
3	Inner Hub	004-14742	1
4	Release Ring	004-12975	1
5	Clamp Hub 6mm	004-00506	1
6	Pressure Plate	004-14942	1
7	Disk Spring Main ø88 700N	004-88070	2
8	Torque Limiter Spring 1100N	004-50110	1
9	Ball 8mm	004-17801	5
10	Bolt M6x20	004-17815	5
11	Circlip 92mm	004-17809	1
12	Distance Bolt M5 L=24.5mm	004-05245	6
13	Nut M24x1.5 L=3.5	004-999241535	1
14	Locking Ring 90mm	004-00690	1
15	Ramp Insert 35°	004-00724	1
SETUP MATERIAL			
8.1	Torque Limiter Spring 950N	004-50095	1
8.2	Torque Limiter Spring 1300N	004-50130	1
ADDITIONAL MATERIAL			
A	SuterClutch compl. 2017	004-52042	1
	Sticker SuterClutch 7x1.5cm	004-52050	2
	Sticker SuterClutch 15x3.3cm	004-52051	2
	Installation Manual SuterClutch	004-52060	1
	Set Gap Measuring	004-52100	1
	Drawing "Kunde"	-	1

Werkstoff (DIN) / Material (DIN) SEE PARTLIST	Oberfläche/Surface DIN ISO 1302	Kantenbruch / break edges ISO 13715	Anzahl Prüfmerkmale / Number inspection characteristics 0	
Zertifikat / Attest R <input type="checkbox"/> O <input type="checkbox"/> K <input type="checkbox"/> H <input type="checkbox"/>	Oberflächenbehandlung / Surface treatment -	Toleranzangabe / Tolerance DIN ISO 2768 - mK DIN EN ISO 13920 - BF	Prüflot / inspection lot [%] Q-Level / Level of quality L5	
Massstab/Scale 1:1	Gewicht/Weight 2241g	Format A3	Blatt/Sheet 1/2	Datum/Date 05.10.2022
		SuterClutch Suzuki GSXR600/750 06-23		Name g.monterastelli
SuterClutch Suzuki GSXR600/750 06-23		Artikel Nr. / Part No. 004-14008		Rev. 1

004-14008-1 SuterClutch Suzuki GSXR600/750 06-23



Das angegebene Belagspaketmass ist zwingend einzuhalten!
The plate package thickness must be strictly adhered to!

ITEM	PART NAME	SRT NUMBER	QTY
1	Back Plate	004-13721	1
2	Hub Carrier	004-13700	1
3	Inner Hub	004-14742	1
4	Release Ring	004-12975	1
5	Clamp Hub 6mm	004-00506	1
6	Pressure Plate	004-14942	1
7	Disk Spring Main ø88 700N	004-88070	2
	Torque Limiter Spring 1100N	004-50110	1
8	Torque Limiter Spring 950N	004-50095	1
	Torque Limiter Spring 1300N	004-50130	1
9	Ball 8mm	004-17801	5
10	Bolt M6x20	004-17815	5
11	Circlip 92mm	004-17809	1
12	Distance Bolt M5 L=24.5mm	004-05245	6
13	Nut M24x1.5 L=3.5	004-999241535	1
14	Locking Ring 90mm	004-00690	1
15	Ramp Insert 35°	004-00724	1