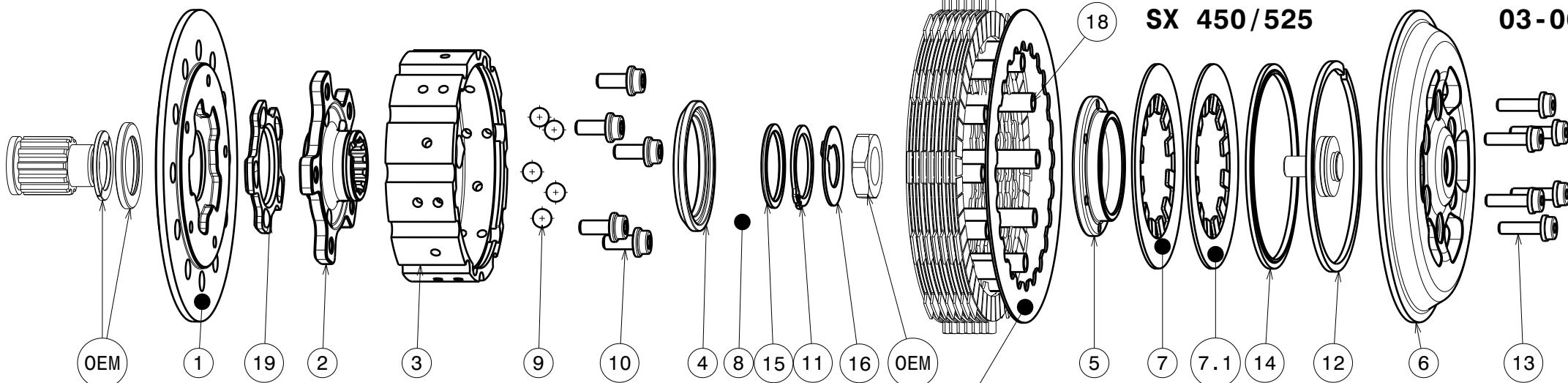


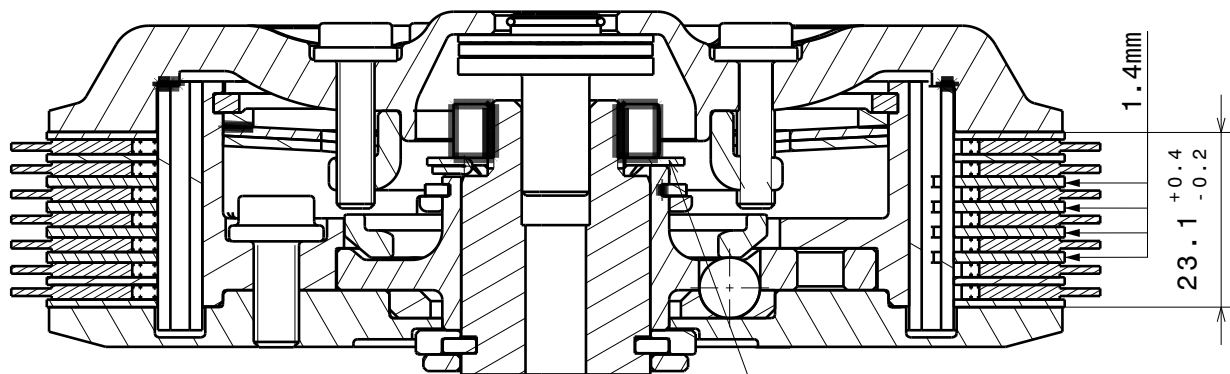
# 004-09002-3 SuterClutch KTM

4-Takt  
4-stroke

■ EXC 250 03-06  
■ EXC/SMR/XC-W 400-560 03-07  
■ SX 450/525 03-06



- Benutze Stahlscheibe Nr.17 nur für: **EXC/SMR/SX 400-560 2003-2005** und für **KTM 250EXC 2003-2006**
- Use steel disk No.17 only for: **EXC/SMR/SX 400-560 2003-2005** and for **KTM 250EXC 2003-2006**



-Die Scheibe Nr.16 biegen um die Mutter zu sichern!  
-Bend the washer No.16 to lock the nut!

**Das angegebene Belagpaketmass ist zwingend einzuhalten!**  
**The plate package thickness must be strictly adhered to!**

ITEM	PART NAME	SRT NUMBER	QTY
1	BACK PLATE	004-75721	1
2	HUB CARRIER	004-09701	1
3	INNER HUB	004-09740	1
4	RELEASE RING	004-09975	1
5	KLAMP HUB 5.0mm	004-00505	1
6	PRESSURE PLATE	004-09940	1
7	<b>DISK SPRING MAIN ø88 800N</b>	<b>004-88080</b>	<b>1</b>
7.1	<b>DISK SPRING MAIN ø88 900N</b>	<b>004-88090</b>	<b>1</b>
8	<b>TORQUE LIMITER SPRING 1300N</b>	<b>004-50130</b>	<b>1</b>
8.1	TORQUE LIMITER SPRING 750N	004-50075	1
8.2	TORQUE LIMITER SPRING 1100N	004-50110	1
8.3	TORQUE LIMITER SPRING 1500N	004-50150	1
9	BALL 8.0MM	004-17801	5
10	SCREW M6x14	004-17814	5
11	CIRCLIP 30mm	004-00030	1
12	CIRCLIP 90mm	004-17804	1
13	DISTANCE SCREW M5x19.5	004-05195	6
14	LOCKING RING 88mm	004-00688	1
15	DISTANZ RING 30X36X2	004-17610	1
16	LOCKING WASHER M18/34	004-08670	1
17	STEEL DISK 1.4mm	004-09814	1
18	DRIVING SLEEVE D8/L31	004-09990	12
19	<b>RAMP INSERT 30°</b>	<b>004-75730</b>	<b>1</b>