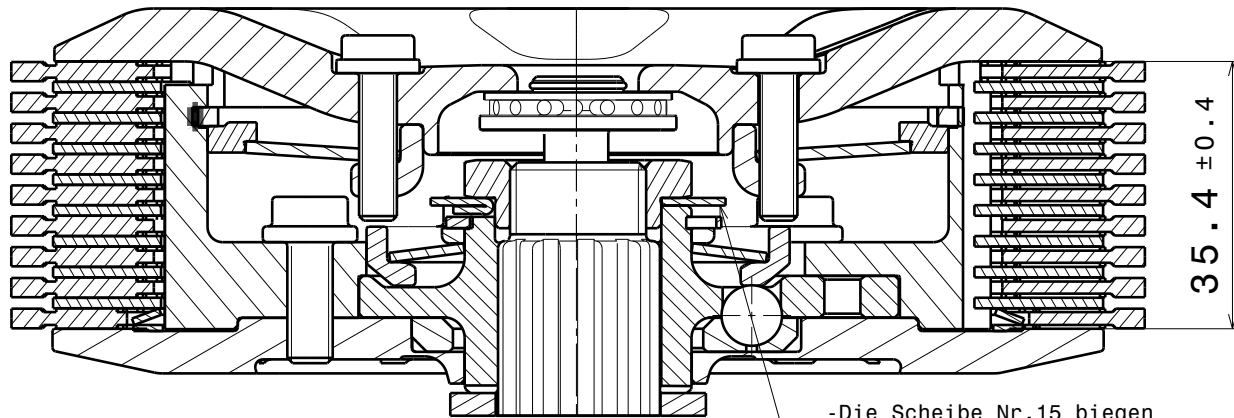
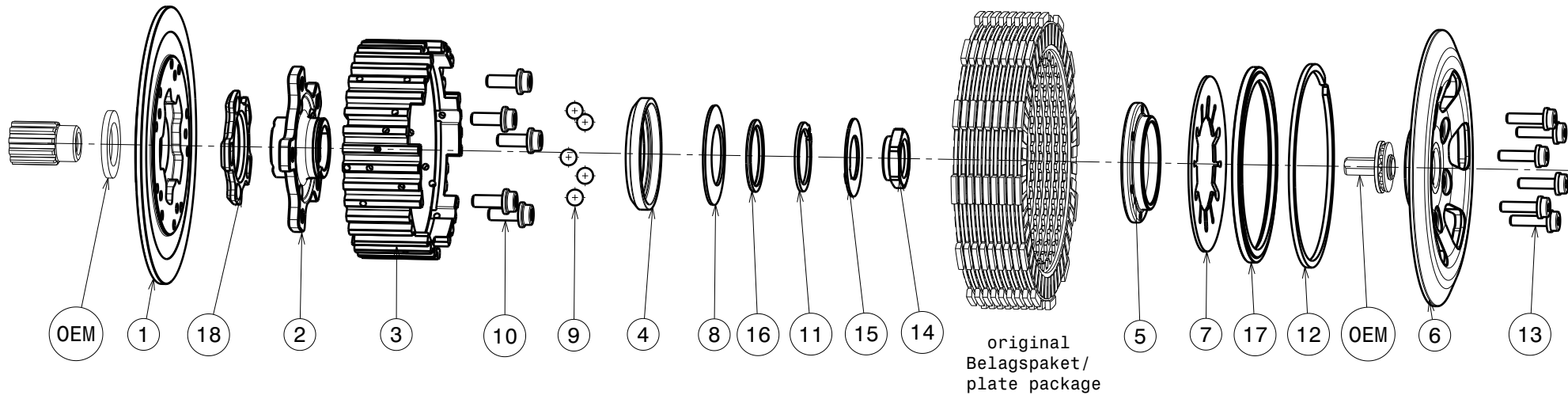


004-06002-0 SuterClutch

KTM EXC-R 450/530 08-11

Husaberg FE450

09-12



-Die Scheibe Nr.15 biegen um die Mutter zu sichern!
-Bend the washer No.15 to lock the nut!

Das angegebene Belagspaketmass ist zwingend einzuhalten!
The plate package thickness must be strictly adhered to!

ITEMS LIST 2656

ITEM	PART NAME	SRT NUMBER	QTY
1	BACK PLATE	004-06722	1
2	HUB CARRIER	004-06700	1
3	INNER HUB	004-06740	1
4	RELEASE RING	004-15975	1
5	KLAMP HUB 5.0mm	004-00505	1
6	PRESSURE PLATE	004-06940	1
7	DISK SPRING MAIN ø88 1235N	004-88123	1
8	TORQUE LIMITER SPRING 850N	004-50085	1
8.1	TORQUE LIMITER SPRING 750N	004-50075	1
8.2	TORQUE LIMITER SPRING 950N	004-50095	1
9	BALL 8.0MM	004-17801	5
10	BOLT M6x16	004-17816	5
11	CIRCLIP 30mm	004-00030	1
12	CIRCLIP 100mm	004-17833	1
13	DISTANCE BOLT M5x19.5	004-05195	6
14	NUT M18X1.5	004-06955	1
15	LOCKING WASHER 22/39/1	004-07670	1
16	DISTANCE RING 30X36X2	004-17610	1
17	LOCKING RING 98	004-00698	1
18	RAMP INSERT 30°	004-00742	1