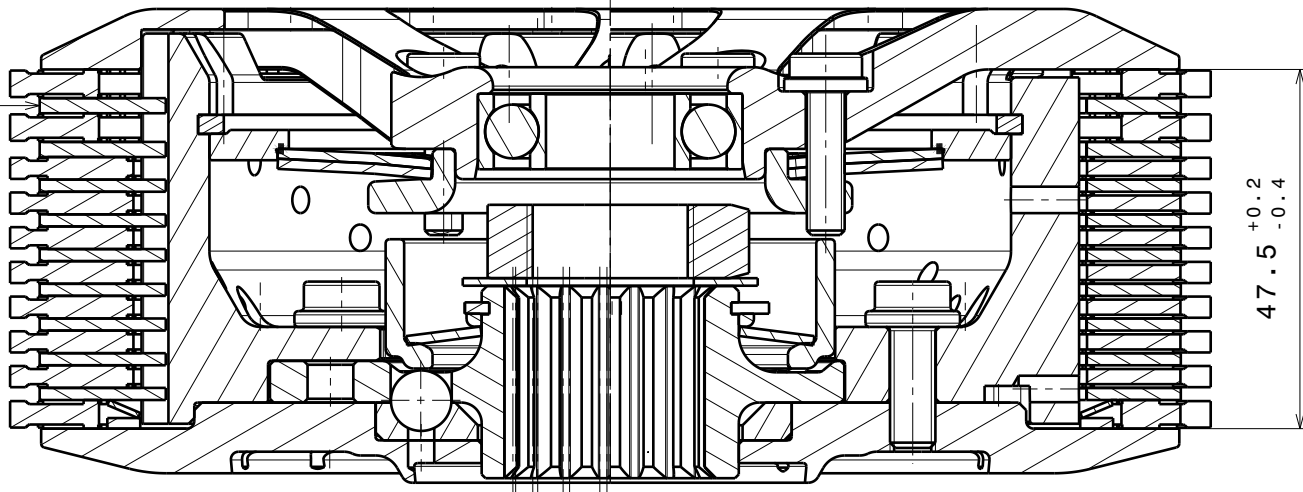
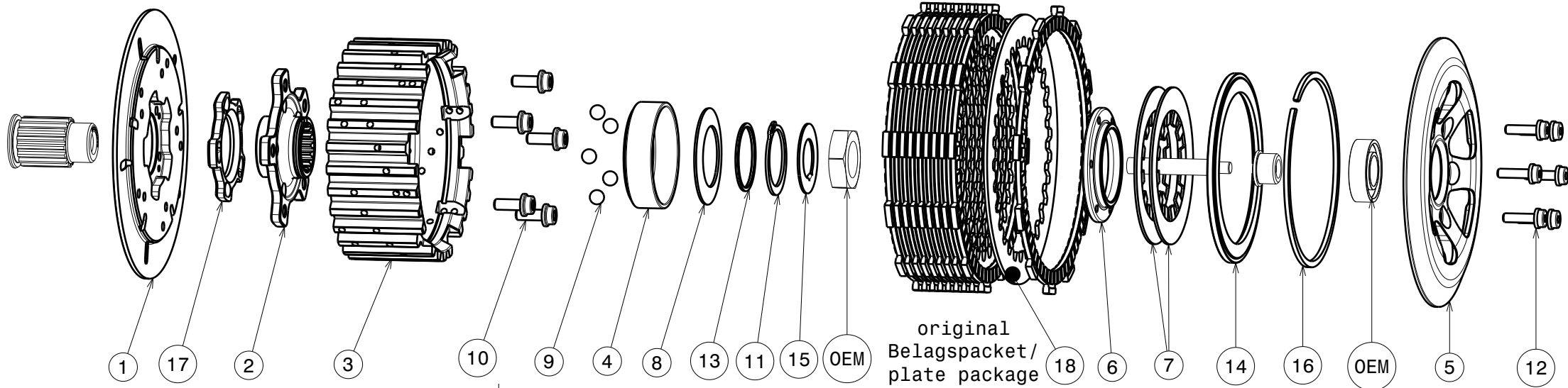


004-05002-2 SuterClutch KTM 1050-1290



Diese Stahlscheibe muss durch die mitgelieferte (Pos.18) ersetzt werden
 This steel disk has to be replaced with the delivered one (Pos.18)

Das angegebene Belagspaketmass ist zwingend einzuhalten!
The plate package thickness must be strictly adhered to!

ITEM	PART NAME	SRT NUMBER	QTY
1	Back Plate	004-05721	1
2	Hub Carrier	004-07700	1
3	Inner Hub KTM RC8	004-05740	1
4	Release Ring	004-07980	1
5	Pressure Plate	004-05941	1
6	Clamp Hub ø64 4mm	004-00524	1
7	Disk Spring Main ø88 800N	004-88080	2
	Torque Limiter Spring 1300N	004-54130	1
8	Torque Limiter Spring 1100N	004-54110	1
	Torque Limiter Spring 1500N	004-54150	1
9	Ball 8mm	004-17801	5
10	Bolt M6x16	004-17816	5
11	Circlip 34mm	004-11801	1
12	Distance Bolt M5 L=19.0mm	004-05190	6
13	Distance Ring 34x38x1.7	004-11610	1
14	Locking Ring 106mm	004-00606	1
15	Locking Washer	004-07670	1
16	Circlip 107	004-17831	1
17	Ramp Insert 35°	004-11712	1
18	Steel Disc 2.0mm	004-05920	1

Model	1290 Super ADV (S,R,T)	1290 Super Duke (R,GT)	1190 Adventure (R)	1190 RC8 R	1090 Adventure (R,L)	1050 Adventure
Year	2015-2022	2014-2022	2013-2016	2013-2014	2017-2019	2015-2016