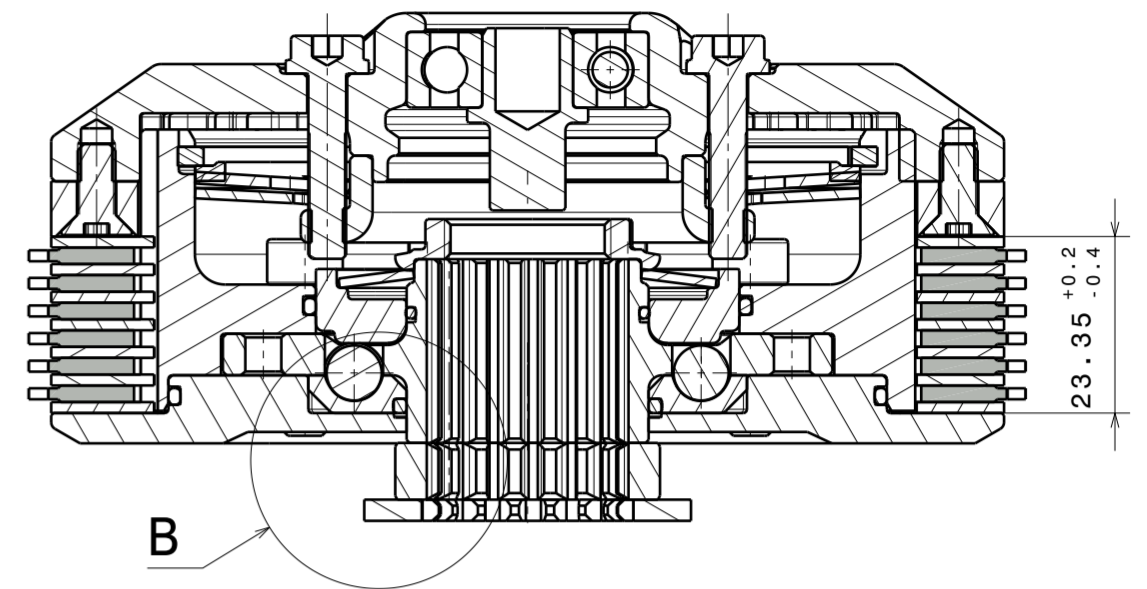


black surface needs to be inside when installing thrust washer pos.1

Installation Detail pos.1

ISS	GRID	DCR	DESCRIPTION OF CHANGE	DATE	SIG
1	XX	xx	pos.2 was 004-04950 pos.22 was 004-50075 add pos. 25.1 add setupparts	11-MAR-21	TK



Partlist: 3198

ITEM	PART NAME	SRT NUMBER	QTY
27	Friction Disk 2.2mm	004-94220	(6)
26	Steel Disk 1.45mm	004-91145	(7)
25*	Disk Spring Main ø88 900N	004-88090	1
25.1	Disk Spring Main ø88 900N	004-88090	1
25	Disk Spring Main ø88 800N	004-88080	1
24	Countersunk Hex Socket Screw M5x12	BN3803 M5x12	8
23	Ball Bearing 12x32x10	999-5006201	1
22*	Torque Limiter Spring 1300N	004-50130	1
22*	Torque Limiter Spring 950N	004-50095	1
22	Torque Limiter Spring 1100N	004-50110	1
21	O-Ring 6.0x1.5 FPM	004-28106	6
20	O-Ring 90x2 FPM	004-35105	1
19	Release Ring	004-28977	1
18	Pressure Plate MX500 Nickel	004-28954	1
17	Inner Hub	004-28746	1
16	Back Plate	004-28727	1
15	Ramp Insert 37.5°	004-28713	1
14	Bolt M6x20 Hexagon Socket	004-28620	6
13	Klamp Hub 7mm	004-28507	1
12	O-Ring 56x2.0 FPM	004-28104	1
11	O-Ring 32x2 FPM	004-28103	1
10	O-Ring 29x1.5	004-28101	1
9	Circlip 90mm	004-17804	1
8	Ball 8mm	004-17801	6
7	Distance Bolt M5 L=24.5mm	004-05245	6
6	Locking Ring 88mm	004-00688	1
5	Hub Carrier MMX500	053-17700	1
4	Clutch Thrust Washer t=7.3mm	053-17185	1
3	Clutch Push FP1	004-04320	1
2	Main Nut M22x1.5 L=1.5mm	004-04951	1
1	Thrust Washer Clutch	004-04900	1

GENERAL TOLERANCE			NOMENCLATURE:	
DISTANCE	BORE Ø	SHAFT Ø	SuterClutch FP1 BTL Conversion kit	
0-10	±0.10	+0.1/-0	PART NUMBER: 004-04002-1	
>10-30	±0.15	+0.2/-0	PART NAME: 004-04002	
>30-120	±0.20	+0.3/-0	SCALE: 1:1	
>120-300	±0.30	+0.4/-0	SIZE: A2	
>300-600	±0.50	+0.5/-0	SHEET NR: 1/1	

DESIGNED BY: t.kuhn	DATE: 22.01.2021		SCALE:	SIZE:	SHEET NR:	
CHECKED BY: f.kunz	DATE: 11.03.2021		1:1	A2	1/1	
APPROVED BY: t.kuhn	DATE: 11.03.2021		MATERIAL: SEE PARTLIST	WEIGHT: 2.139kg		

This drawing is confidential. Copying or loan of this drawing or any information thereupon is prohibited without the written permission of Suter Industries Ltd.